

\$10.00



SHOPPERTRON™ PARTS MANUAL

CRANE®

NATIONAL VENDORS
12955 Enterprise Way
Bridgeton, MO 63044

WARRANTY

The Shoppertron™ Merchandiser is warranted for one (1) year against defective parts and workmanship. Any part or parts which are proven to be defective within one (1) year of the date of shipment will be repaired or replaced free of charge when the defective part is returned, with transportation charges prepaid, to the destination designated by the National Vendors Warranty Department.

All refrigeration units and icemakers are warranted on the above basis for a period of one (1) year of the date of shipment.

This warranty applies only to the original purchaser of the Merchandiser and is null and void if the Merchandiser is sold during the period of warranty.

This warranty is also null and void for all electrical components, wiring, or circuits, and/or for all mechanical parts or assemblies damaged as a result of operating the Merchandiser at other than 110-120 volts, 60 Hertz current. The warranty is null and void in event of vandalism, fire, or negligence on the part of the operator.

No warranty is given or implied on incandescent lamps, neon lamps, fluorescent lamps, ballast, or starters, and other expendable items. No warranty will be given when other manufactured components are installed in National Vendors Merchandisers.

Further, National Vendors is not responsible for any cost of service rendered, or repairs made on merchandiser or parts, at other than National Vendors; or by anyone other than an authorized factory service representative of National Vendors; unless authorization to incur such expense has been given in writing by National Vendors prior to incurring such expense.

This warranty is in lieu of all other warranties expressed or implied, including, without limitation, warranties of merchantability, and all other obligation or liabilities on National Vendors part; and National Vendors neither assumes, nor authorizes any person to assume for it, any other obligation or liability in connection with the sale of said equipment or any part thereof.

charge to our customers
Crane Merchandising System

NATIONAL VENDORS
12955 Enterprise Way
Bridgeton, MO 63044

This machine has been engineered to our own rigid safety and performance standards. It has earned a "Letter of Compliance" from NAMA indicating that it complies with sanitation and health guidelines recommended by the Automatic Merchandising Health-Industry Council (AMHIC) and it conforms with all other NAMA safety recommendations. This machine has been FCC Verified and UL listed.

To retain the safety and performance

built into this machine, it is important that installation and maintenance be conducted so as to not alter the construction, or wiring, and that replacement parts are as specified in the Parts Manual. Your investment in this equipment will be protected by using the Set-Up Instructions and Parts Manual in your operation and maintenance work. By following prescribed procedures, machine performance and safety will be preserved.

ILLUSTRATED PARTS BREAKDOWN

This manual contains the Parts Breakdown for each assembly. Each illustration shows an exploded view with index numbers. These numbers correspond with the numbers in the parts list column headed INDEX NO. The DESCRIPTION column lists the name of each part or assembly. The PART NUMBER and the NO. REQ. columns list the part number and quantity of each part or assembly respectively.

HOW TO USE THE PARTS LIST

To locate a part number, choose the

figure from the list of illustrations which uses the part or assembly desired. Turn to that figure and locate the part or assembly with its index number. Find the index number in the parts list and read across for a complete description.

HOW TO ORDER

To avoid delays and errors in shipping, give the part number, complete description, and quantity required. Also, include the Model Name and Serial No.

LIST OF ILLUSTRATION

Figure	Page
1 Shoppertron Locator Drawing	1
2 Cabinet Assembly.....	4
3 Lower Cabinet and Evaporator Assembly	6
4 Condensing Unit	8
5 Evaporator Door and Blower Motor Assembly	10
6 Lower Cabinet Assemblies	12
7 Solenoid and Stop Pin Assembly.....	14
8 Drive Motor Assembly	15
9 Turret Top, Base and Product Shelf Assembly	16
10 Power Panel Assembly	19
11 Hinge and Leg Assemblies	20
12 Door Insulation and Miscellaneous	22
13 Door Assembly, Internal	24
14 Selection Door and Door Guide Assembly	26
15 Door Mechanism Assembly	28
16 Flourescent Light Assemblies	31
17 Door Duct and Electrical Assembly	33
18 Door Assembly, External	35
19 Monetary Door, Harness Drawing	37
20 Monetary Group	38
21 Scavenger Assembly	41
22 Lift Handle Lock Assembly	42
23 Door Trim and Monetary	43
SERVICE PARTS	
S-1 Lower Cabinet and Evaporator Assembly (Old Style)	46
S-2 Condensing Unit and Compressor Assembly (Old Style).....	47
S-3 Sensor Switch Assembly (Old Style)	49
S-4 Solenoid and Stop Pin Assembly	50

SHOPPERTRON

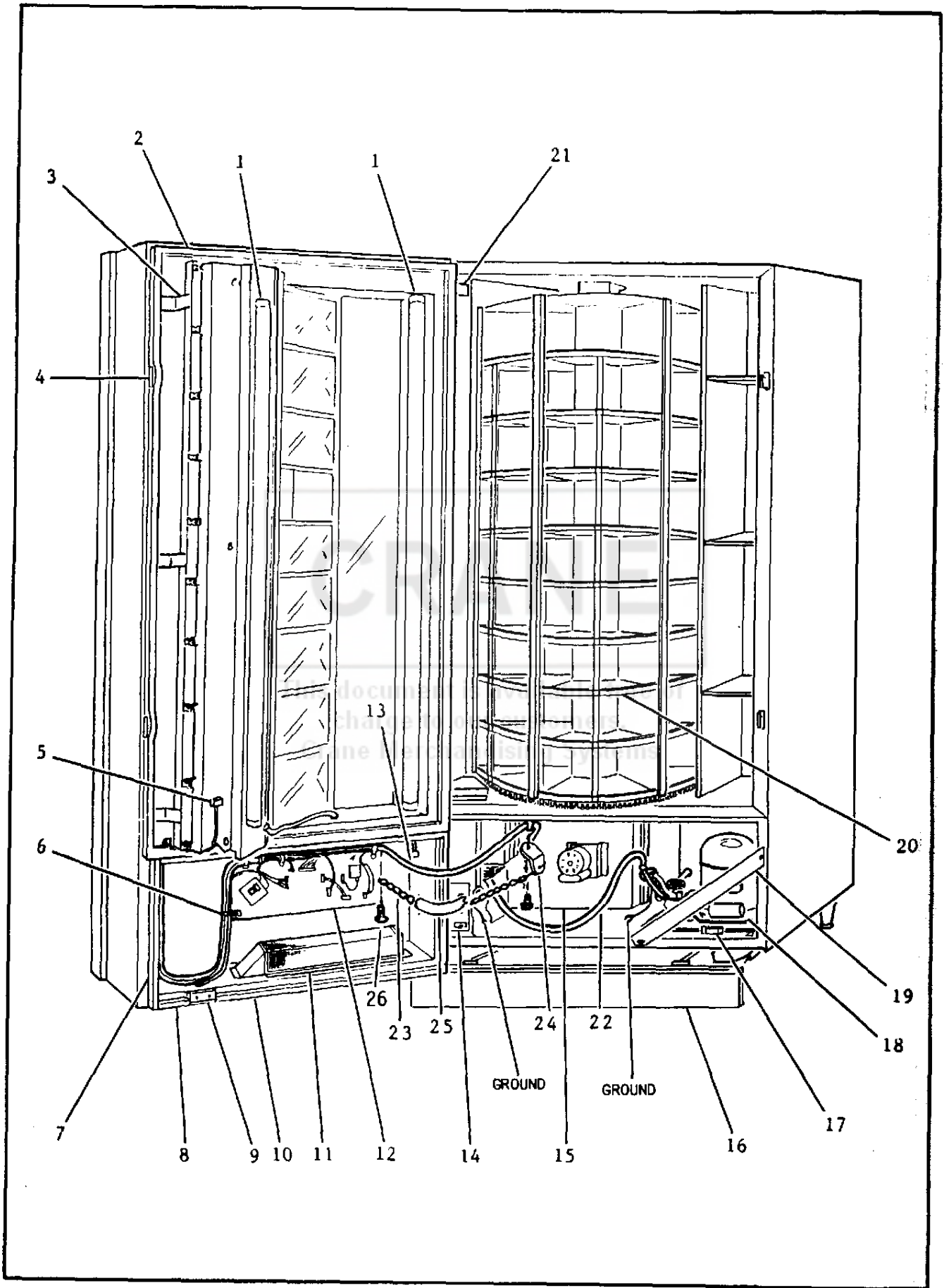


Figure 1

Figure 1. Shoppertron Locator Drawing

Index No.	Description	Part Number	No. Req.
1	Flourescent Light Assemblies (See Figure 16)	4302187	1
		4302186	1
2	Gasket - Door	4302094	1
3	Support - Bracket (Screw #8-32 x 5/16 Hex WHS T/C)	4302181	3
		*	3
4	Guard - Door Seal	4302229	2
5	Cover and Support Assembly Temp Sensor (See Figure 15)	4302172	1
6	Wire Tie	5230618	1
7	Seal - Door - Side	4302180	2
8	Seal - Door - Lower	4302192	1
9	Glide - Door (Screw #8-32 x 1/2 RHS Machine) (Nut #8-32 Keps)	4302191	1
		*	2
		*	2
10	Seal - Door - Lower	4302179	1
11	Subassembly - Front Screen (See Figure 12)	4302061	1
12	Door Duct and Electrical Assembly (See Figure 17) (Screw #8-32 x .31 Hex Hd T/F Black)	4302540	1
		1451097	2
13	Harness - Main Door	4302566	1
14	Power Panel Assembly (See Figure 10)	4301093	1
15	Evaporator Door Assembly (See Figure 5)	4301059	1
16	Base Plate and Accessory Assembly (Opt.)	Award Black Nu-Gray	1
		4301504	1
17	Bracket Assembly - Interlock (Screw #8-32 x 5/16 Hex WHS T/C)	4304039	1
		*	2
18	Refrigeration Unit	4304002	1
19	Brace - Cabinet (Screw #1/4-20 x 3/4 Hex Hd Bolt) (Nut #1/4-20 Keps Ext. LW)	4301089	1
		*	2
		*	1
20	Turret Assembly (See Figure 9)	4307002	1
21	Label - Model Designation	4302057	1
	* Purchase at Local Hardware Store		

SHOPPERTRON

Index No.	Description	Part Number	No. Req.
22	Harness - Mechanism to Board	4302355	1
	(Wire Clamp .302 Dia)	2221049	1
	(Cable Clamp 1/2 Dia)	3102491	1
23	Chain - Sash	4302232	1
24	Bracket - Door Chain	4301268	1
25	Cover - Chain	4302231	1
26	Screw #8-32 x 1/2 PHS, T/C	6137183	2
NOT SHOWN	CSA Label	9989429	1

CRANE

This document is available free of charge to our customers.
Crane Merchandising Systems

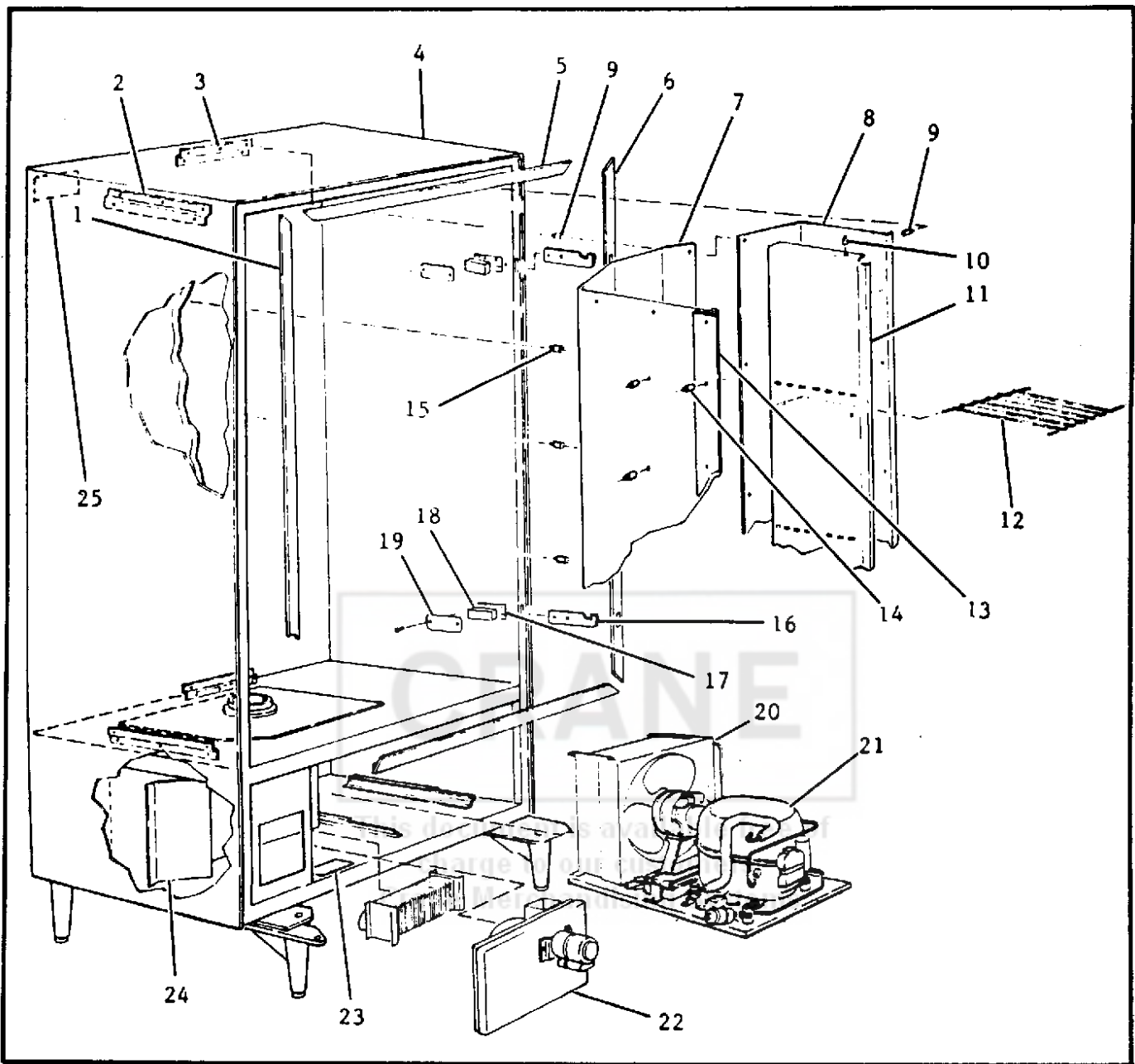


Figure 2. Cabinet Assembly

Index No.	Description	Part Number	No. Req.
1	Thermal Break - Cabinet - Left Side	4301211	1
2	Bracket - Return Air Duct - Left (Screw #8-32 x 3/8 Hex S/T)	4301223 *	2 4
3	Bracket - Return Air Duct - Back (Screw #8-32 x 3/8 Hex S/T)	4301224 *	2 4
4	Cabinet Assembly - Welded	4301035	1

SHOPPERTRON

Index No.	Description	Part Number	No. Req.
5	Thermal Break - Cabinet - Top/Bottom	4301210	2
6	Thermal Break - Cabinet - Right Side	4301213	1
7	Duct - Return Air - Left (Screw #8-32 x 5/16 THS S/T)	4301232 *	1 10
8	Duct - Return Air - Right	4301225	1
9	(Spacer - Liner) (Screw #8-18 x 1 1/2 RHS S/T)	4241160 *	11 11
10	Spacer 1/4 in. (Screw #7/8 PHS Sheet Metal)	4041049 *	1 1
11	Wall - Storage	4301234	1
12	Shelf - Storage	4301254	3
13	Trim - Return Air Duct	4301233	1
14	(Spacer - Liner .375 x .500) (Screw #7/8 PHS Sheet Metal) (Washer # 7/16 x 11/64)	4241165 * *	6 6 6
15	Spacer - .500 Lg x .50 Dia (Screw #7/8 PHS Sheet Metal) (Washer #7/16 x 11/64)	4301230 * *	3 3 3
16	Lock Arm - Cabinet (Screw, #10-32 x 1/2 Acorn Hex Hd W/Hd, SEMS, T/C)	4301049 1141043	2 4
17	Housing - Cabinet Lock Bar Obsolete Part	4301207	2
18	Insulation - Lock Bar Cover	4301238	2
19	Cover - Cabinet Lock Bar (Screw #8 x 3/8 PHS Sheet Metal)	4301216 *	2 4
20	Refrigeration Unit See Figure { 3 (Old) See Figure S-2 4 (New) Shown	4304002	1
21	Screw #1/4-20 x 1 Hex T/C	4301261	2
22	Door Assembly - Evaporator (See Figure 5)	4301059	1
23	Label - Motor Oiling Instruction	4241284	1
24	Baffle - Evaporator Air	4301084	1
25	Tag - Electrical Rating and Serial Number	4301257	1
*	Purchase at Local Hardware Store		

FIGURE 2

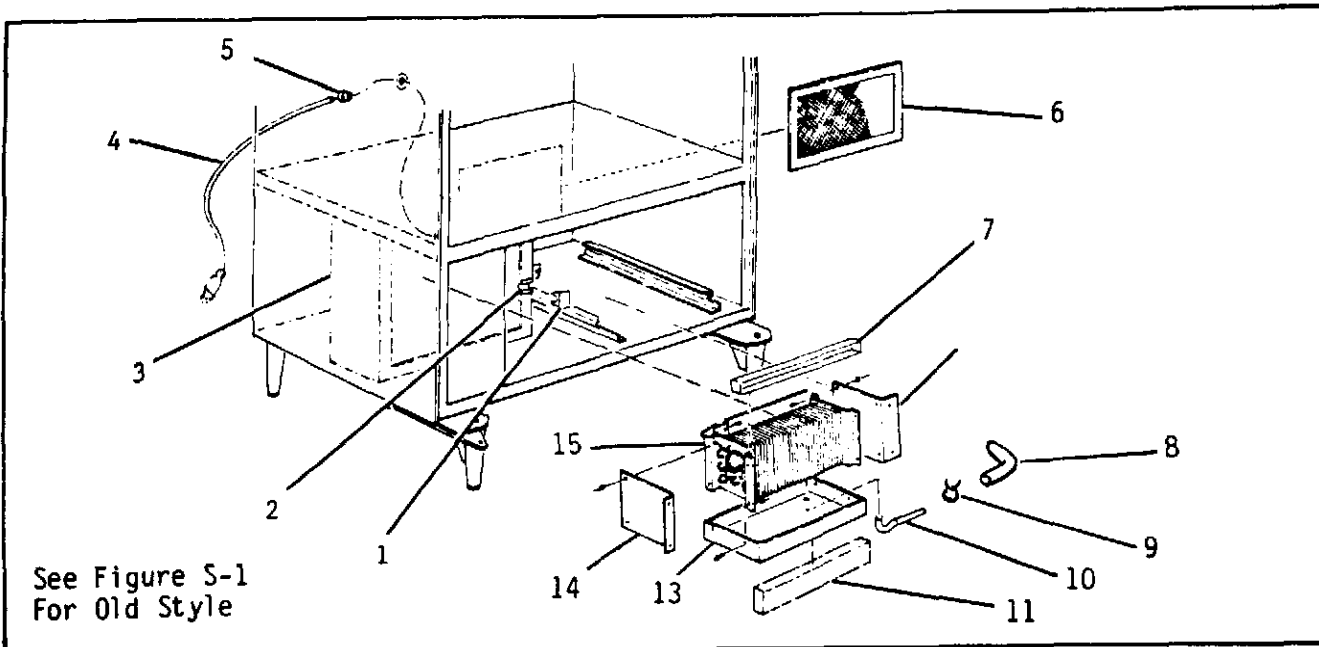
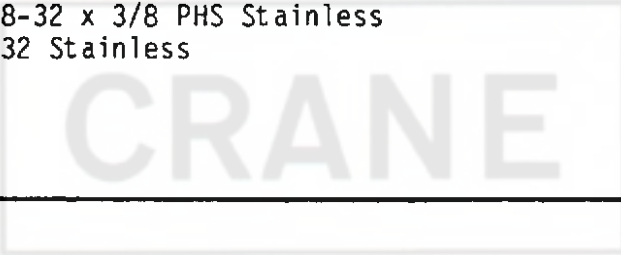


Figure 3. Lower Cabinet and Evaporator Assembly

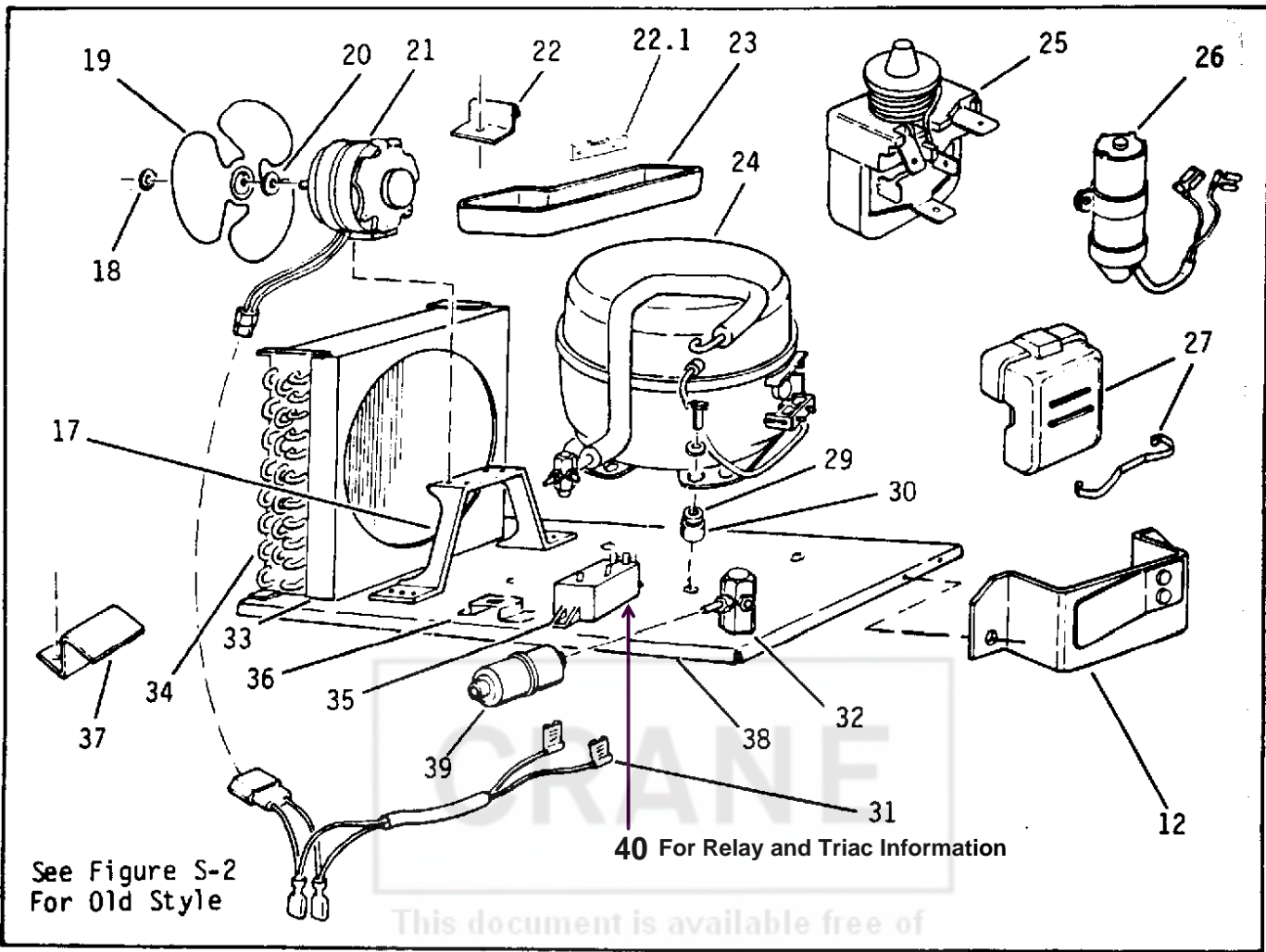
Index No.	Description	Part Number	No. Req.
	The following are part of Cabinet Assembly	4301000	Ref
1	Clamp - Suction Line	4301076	1
2	Block - Suction Line	4301077	1
3	Panel - Evaporator Liner - Back/Bottom	4301085	1
4	Power Cord Assembly	4071042	1
5	Bushing	4021037	1
6	Screen - Rear	4301047	1
7	Channel - Turret Support	4301048	2
8	Elbow - Drain Tube	4304071	1
9	Clamp - Hose 19/32	6111054	1
10	Drain - Condensate	4301034	1
11	Block - Evaporator Air	4301253	1
12	Bracket Assembly - Interlock Spring (Shown on Figure 4)	4304074	1
	(MH) Screw #8-32 x .31 HWS	1451056	2

SHOPPERTRON

Index No.	NS: Not Shown Separately Description	Part Number	No. Req.
	Refrigeration Unit (Includes Index 13-38)	4304002	Ref
	Evaporator Assembly (Includes Index 13-16)	4304017	1
13	Pan Assembly - Evaporator	4304037	1
14	Plate - Evaporator Mounting - LH	4304029	1
	(MH) Screw #8-32 x 3/8 PHS Stainless	3108221	6
	(MH) Nut #8-32 Stainless	3106215	6
15	Evaporator - 1/3 HP	4304035	1
NS	Tube Assembly - Capillary and Suction	4304019	1
NS	Accumulator - Spinco	4043078	1
NS.	Adapter - Dryer to Compillary Tube	4304030	1
16	Plate - Evaporator Mounting - RH	4304028	1
	(MH) Screw #8-32 x 3/8 PHS Stainless	3108221	6
	(MH) Nut #8-32 Stainless	3106215	6
NS	Wire Tie	2204513	2
NS	Valve Core	4304011	2



This document is available free of charge to our customers.
Crane Merchandising Systems



This document is available free of charge to our customers.
Craie Merchandising Systems

Figure 4. Condensing Unit

Index No.	Description	Part Number	No. Req.
	Condensing Unit (Includes Index 17-38)	4304007	Ref
	Motor and Fan Assembly (Includes Index 17-21)	4304055	Ref
17	Bracket - Condenser Fan Motor (MH) Screw, #8-32 x 5/16 RHS T/C	4043066 9900174	1 4
18	Speed Nut #1/4-20	4043122	1
19	Blade - Condenser Fan	4304006	1
20	Silencer - Fan - Morrill	4043121	1
21	Motor - Condenser Fan (MH) Screw #8-36 x 3/8 Hex Hd W/Ext LW	3124140 4043120	1 4

SHOPPERTRON

Index No.	NS: Not Shown Separately Description	Part Number	No. Req.
22	Retainer - Condensate Pan (MH) Screw 3-32 x .31 Aws	4304068 1451056	2 2
22.1	Spacer - Compressor Discharge Tube	4304076	2
23	Condensate Pan Compressor Assembly (Includes Index 24-31)	4304067 4304053	1 Ref
24	Compressor - 3/8 HP - Low Temp	4304050	Ref
NS	Tube and Suction Valve Assembly	4304064	1
	(MH) Washer - Steel 11/16 x 11/32 x .062	9900147	1
	(MH) Machine Screw 5/16 -24 x 1/2 HH W/LW	4043102	1
25	Starting Relay	4304060	1
26	Starting Capacitor	4304059	1
27	Cover and Strap	4304057	1
28	Not Used		
29	Grommet	4304061	4
30	Sleeve (MH) Bolt - .250 x 1.25 Hex Hd.	4304062 0018057	4 4
31	Harness - Compressor Condenser Assembly (Includes Index 32-34)	4304052 4304031	1 Ref
32	Valve - Discharge Schrader (MH) Washer - Steel 11/16 x 11/32 x .062 (MH) Machine Screw 5/16-24 x 1/2 HH W/LW	4304014 9900147 4043102	1 1 1
NS	Tube - Compressor Discharge - Danfoss	4304034	1
NS	Coil - Condenser - Rifled	4304051	1
NS	Tube - Condenser To Valve	4304033	1
33	Shroud - Fan (MH) Speed Clip - Dart Style	4043067 4043082	1 6
34	Coil - Condenser - Rifled (MH) Nut - Speed - Twin Type (MH) Screw #8 x 3/8 Sheet Metal	4304051 4043081 9900153	1 2 4
35	Relay - Refrigeration - SPNO (MH) Screw #6-32 x 5/16 RHS T/C	4255408 9900183	1 2
36	Support- Schrader Valve (MH) Screw #8-32 x .31 Aws	4304066 1451056	1 2
37	Retainer - Drain Tube (MH) Screw #8-32 x .31 Aws	4304063 1451056	1 2
38	Compressor Base Assembly	4304027	1
39	Drier	4244027	1
40	Solid State Upgrade Kit (Replaces Relay, directional PCB, and Interface PCB)	4300050	1

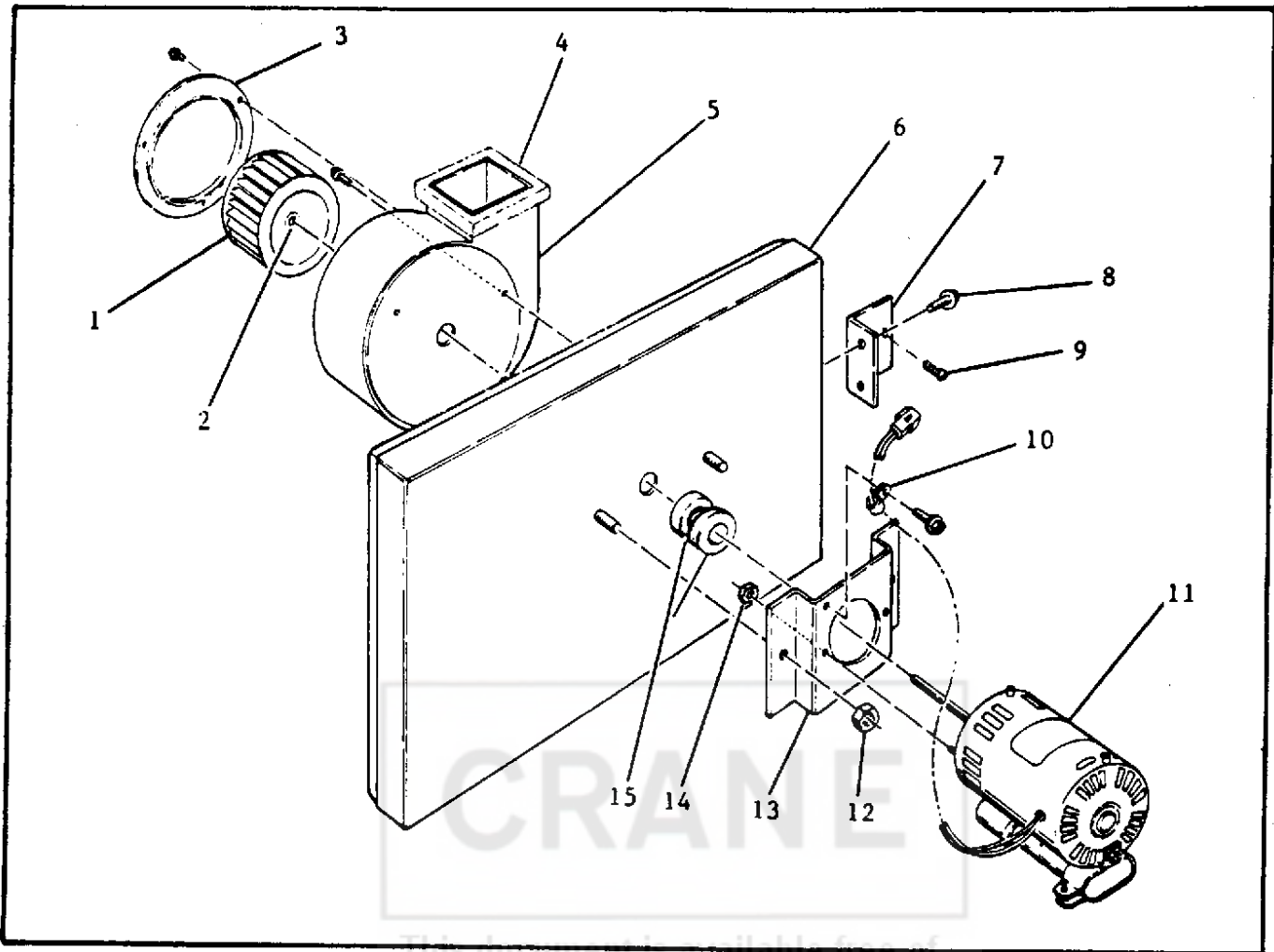


Figure 5. Evaporator Door and Blower Motor Assembly

Index No.	Description	Part Number	No. Req.
	Door Assembly - Evaporator Motor & Bracket Assembly Blower (See Figure/Index 1/15, 2/22 for next higher assembly)	4301059 4241172	Ref Ref
1	Wheel - Blower	4301056	1
2	Washer Spring Retaining	2229056	4
3	Ring - Blower Housing (Screw #6-20 x 1/4 RHS T/F)	4301057 *	1 3
4	Seal - Blower Housing	4301088	1
5	Blower Housing (Screw #8-32 x 1/4 Hex WHS T/C)	4301055 *	1 3

SHOPPERTRON

Index No.	Description	Part Number	No. Req.
6	Door Assembly - Evaporator - Weld	4301060	1
7	Bracket - Door Mounting	4301092	1
8	Screw #8-32 x 5/16 Hex WHS T/C	*	3
9	Screw #10-16 x 5/8 PHS S/T	*	1
10	Cable Clamp - Richco #N4	1211161	1
11	Motor Blower	4241289	1
12	Nut #10-32 Keps	*	2
13	Bracket - Blower Motor	4241208	1
14	Nut #1/4-20 Keps Ext. LW	*	2
15	Seal - Blower Motor	4301263	2
	* Purchase at Local Hardware Store		



 This document is available free of charge to our customers.
 Crane Merchandising Systems

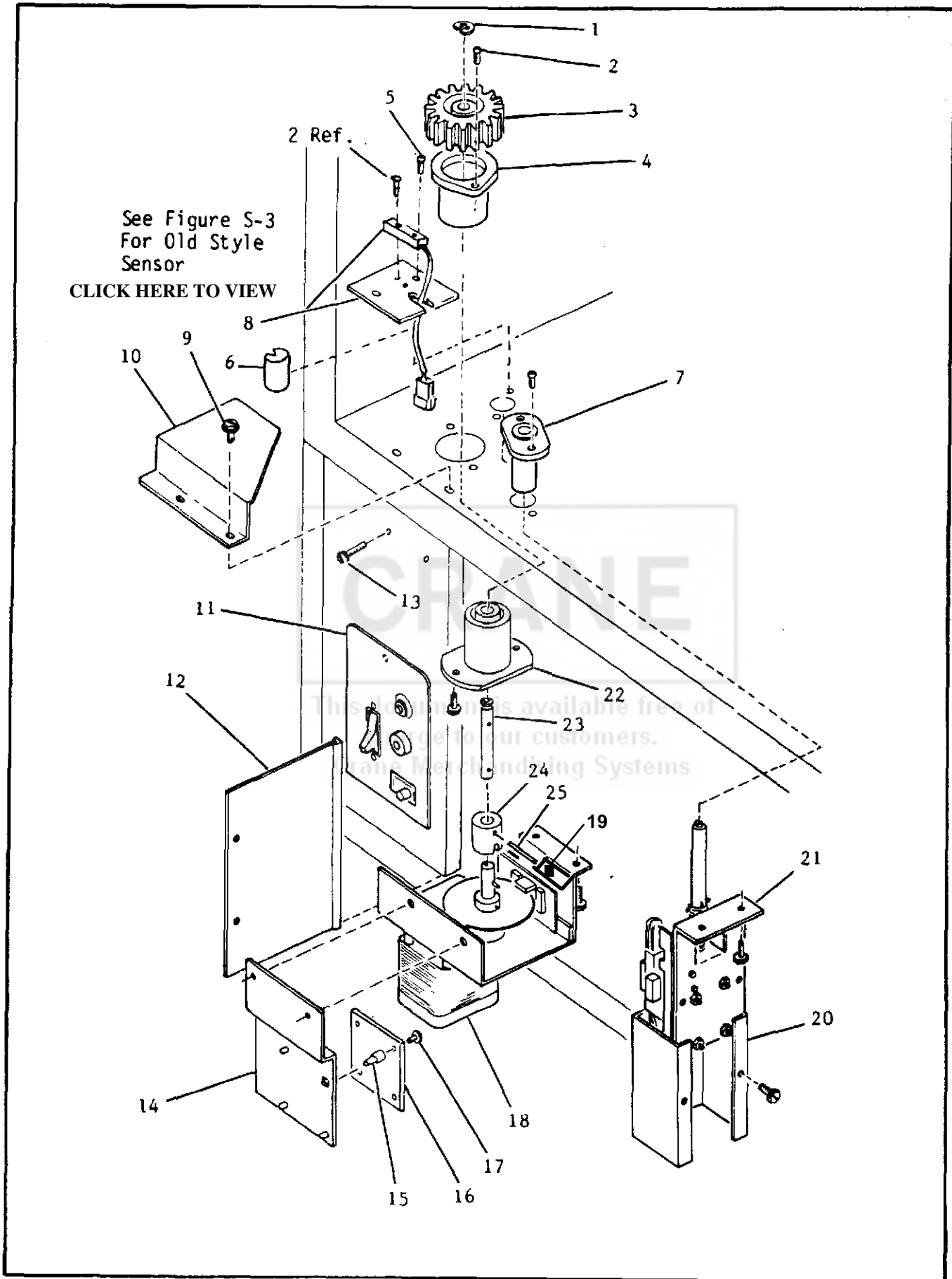


Figure 6. Lower Cabinet Assemblies

SHOPPERTRON

Index No.	Description	Part Number	No. Req.
1	Retaining Ring Reinf E Type 3/8	*	1
2	Screw #8-32 x 1/2 RHS S/T	*	6
3	Gear - Drive	4327034	1
4	Housing - Bushing	4301205	1
5	Not Used		
6	Insulation - 1.00 Diagram x 1.00	4301368	1
7	Bushing - Stop Pin	4301204	1
8	Sensor Switch Assembly Proximity +	4329022	1
9	Screw # 8-32 x 5/16 Hex WHS T/C	*	10
10	Cover - Turret Gear	4301235	1
11	Power Panel Assembly (See Figure 10)	4301093	1
12	Plate Assembly - Harness Guard	4301269	1
13	Screw #8-32 x 1/2 PHS T/C	*	2
14	Motor and PCB Support	4301347	1
15	Plastic Expansion Nut .250 Spacer	9989329	4
16	PCB Assembly - Motor Direction	4301416	1
17	Screw #8-18 x 1/2 PHS	*	4
18	Drive Motor Assembly and Motion Sensor PCB	4301399	1
19	PCB - Board Assembly Motion Sensor	4301419	
20	Cover - Solenoid	4301326	1
21	Solenoid and Stop Pin Assy. (See Figure S-3) Early Model	4301355	1
	If Replacing Original Solenoid p/n 4301355, Kit Is Required Use	4311144	1
	If already upgraded to 4311144 Use p/n	4311108	
22	Bushing - Drive Shaft	4301206	1
23	Shaft - Drive	4301311	1
24	Coupling - Drive	4301312	1
25	Roll Pin 1/8 x 13/16	*	2
	* Purchase at Local Hardware Store		

Figure 6

See Figure S-4
For Old Style
Prior to S/N 430-50575

CLICK HERE TO VIEW

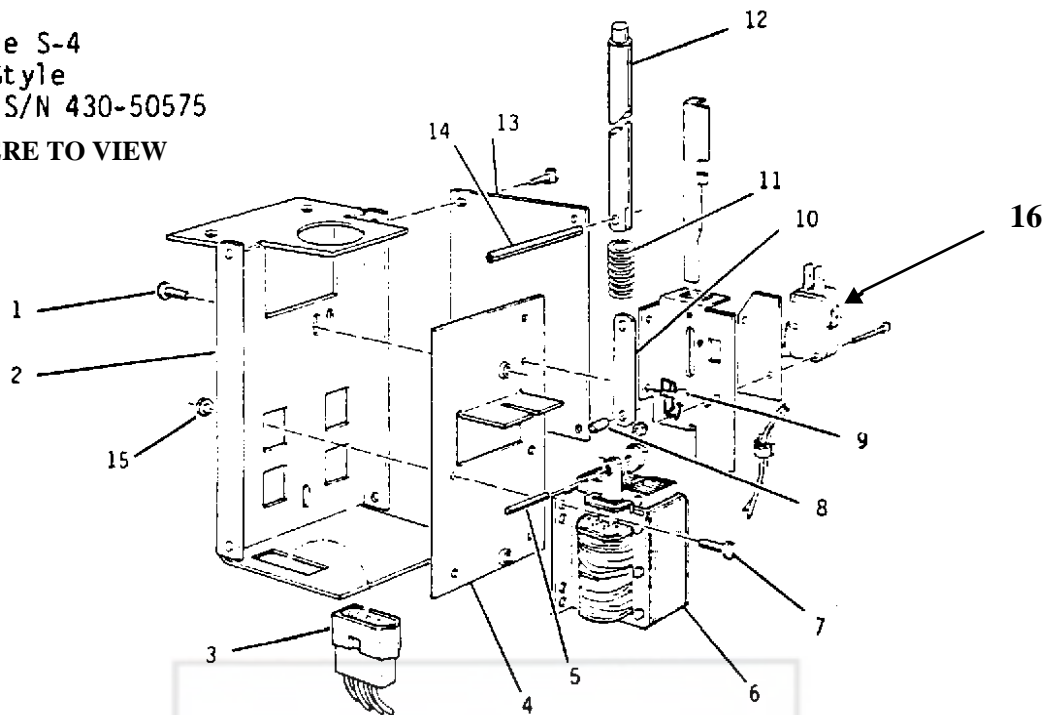


Figure 7. Solenoid and Stop Pin Assembly

Index No.	Description	Part Number	No. Req.
	Solenoid and Stop Pin Assembly - If Different than above use If Stop Pin Same as Above Picture Use Kit Listed Below	4311108	Ref
1	Screw #8-32 x 5/16 Hex T/F (#8 Lockwasher)	*	2
2	Bracket Solenoid - Mtg. Assembly	4301356	1
3	Jumper Solenoid Switch	4302342	1
4	Bracket - Solenoid	4301358	1
5	Groove - Pin - .125 Dia. x .875 Lg.	4301367	1
6	Solenoid - Laminated	4301359	1
7	Screw #6-32 x 5/16 RHS W/LW	*	4
8	Bushing - Retainer	4301364	1
9	Screw #8-32 x 3/8 PHS W/LW T/F	*	4
10	Link - Solenoid	4301363	1
11	Spring - Compression	4301337	1
12	Pin - Stop	4301361	1
13	Cover - Solenoid	4301365	1
14	Roll Pin - .12 x 1.50	4301362	1
15	Nut #6-32 Keps	*	4
	Switch - Roller Lever * Purchase at Local Hardware Store	9984634	
Not Shown	KIT - STOP PIN SOLENOID ASSEMBLY: REPLACES THE OBSOLETE VERSION PICTURED ABOVE	4311144	1

SHOPPERTRON

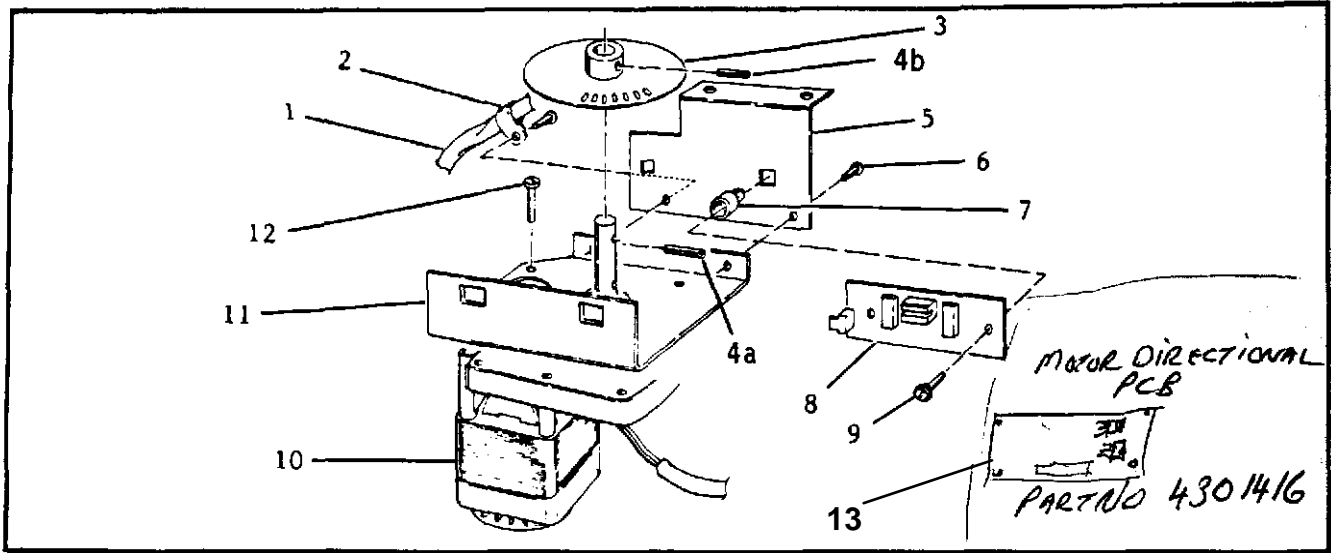


Figure 8. Drive Motor Assembly

Index No.	Description	Part Number	No. Req.
	Drive Motor Assembly and Motion Sensor PCB (See Figure/Index 6/18 for next higher assembly)	4301399	Ref
1	Jumper - Motor - Bi-direction	4301262	1
2	Wire Clamp 3/16 in.	2301077	1
3	Wheel Assembly - Optical Switch	4301306	1
4a	Groove Pin - .125 Dia. x .875 Lg	4301375	1
4b	Roll Pin 1/8 x 13/16	3127034	1
5	Plate P.C.B. and Motor	4301304	1
6	Screw #8-18 1/2 PHS S/T	*	2
7	Spacer PCB	4041049	2
8	P/C Board Assembly - Motion Sensor	4301419	1
9	Screw #8-32 x 3/8 PHS W/LW T/F	*	2
10	Motor - Reversible and Motion Sensor PCB	4301399	1
11	Bracket - Motor	4301303	1
12	Screw #8-32 x 3/8 PHS	*	4
13	PCB - Board Assembly Motor Direction	4301416	

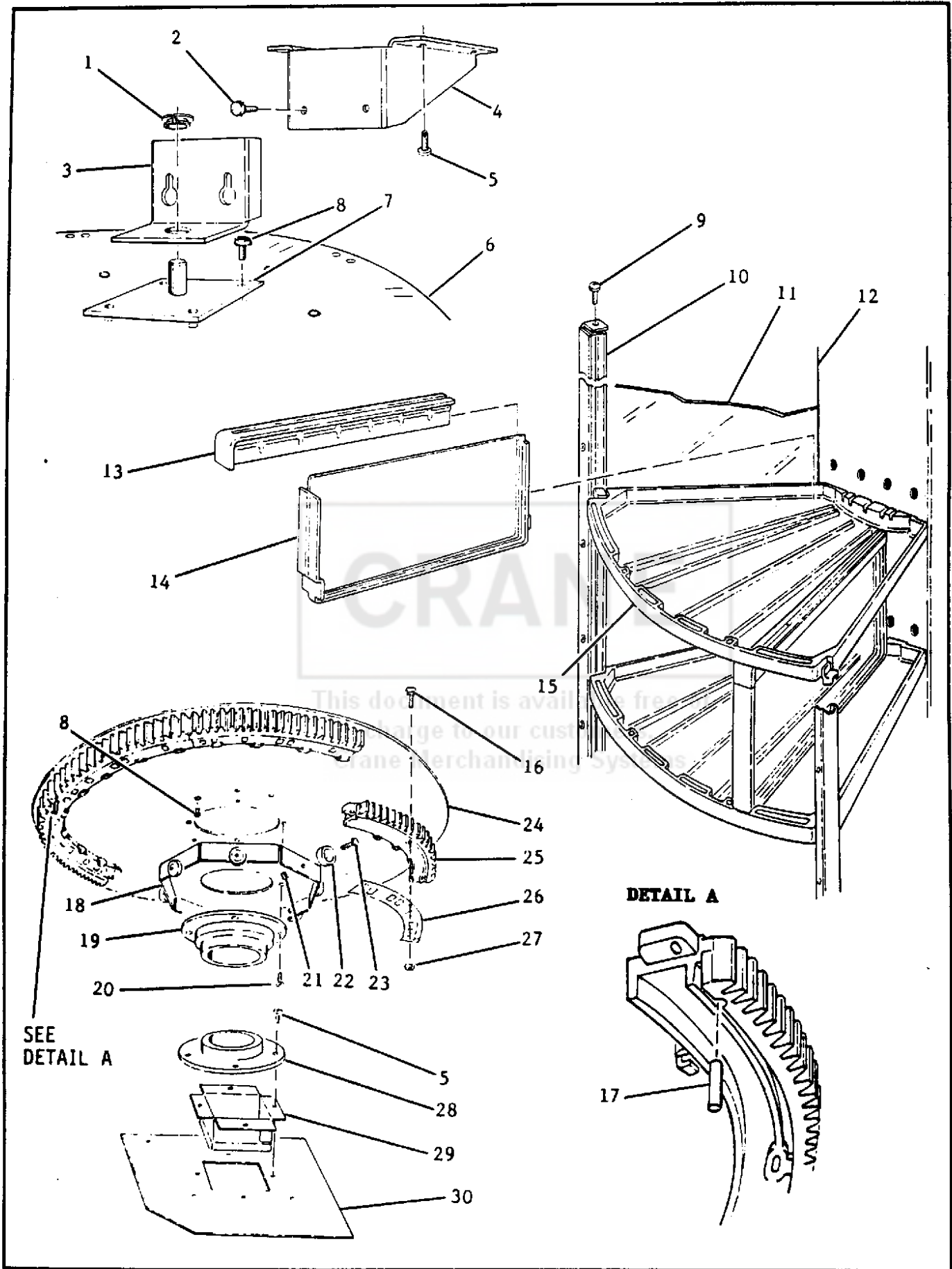


Figure 9. Turret Top, Base and Product Shelf Assemblies

SHOPPERTRON

Index No.	Description	Part Number	No. Req.
	(See Figure/Index 1/20 for next higher assembly)		
1	Bearing - Nyliner - 500 I.D.	4301221	1
2	Screw #10-32 x 3/8 PHS T/C W/LW	*	2
3	Angle - Bushing	4301220	1
4	Bracket - Turret - Locating	4301222	1
5	Screw #8 x 7/8 PHS Sheet Metal	*	4
6	Top - Turret	4307010	1
7	Pin and Plate Assembly	4307020	1
8	Screw #8-32 x 3/8 PHS W/LW T/F	*	16
9	Screw, #6-32 x 3/8 PHS, S/T	2222655	24
10	Rail Turret	4307026	6
11	Wall - Shelf - clear	4307009	3
	Wall - Shelf - white	4307028	3
12	Panel - Center - Turret	4307012	3
13	Retainer - Divider	4307007	84
14	Divider - Shelf	4307006	84
15	Shelf- Product	Was 430-7005 Now - 4307034	54
16	Carriage Bolt - #10-24 x 1.00	4307024	12
17	Magnet - Magnetized (See Detail A)	4301353	1
18	Plate - Mounting - Roller	4307014	1
19	Locator - Turret	4301202	1
20	Screw #8-32 x 1/2 PHS T/C W/LW	*	4
21	Nut #1/4-20 Self Locking	*	8
22	Roller - Turret	4307015	8



This document is available free of charge to our customers.
Crane Merchandising Systems

Obsolete

Index No.	Description	Part Number	No. Req.
23	Stud - Roller Tray	4241264	8
24	Base - Turret	4307011	1
25	Gear Segment - Turret	4307017	6
26	Plate - Stop	4307018	6
27	Nut #10-24 Self-Locking	4307029	12
28	Bearing - Turret	4307016	1
29	Duct Assembly - Cabinet Blower	4301082	1
30	Plate - Roller	4301212	1
	* Purchase at Local Hardware Store		

CRANE

This document is available free of charge to our customers.
Crane Merchandising Systems

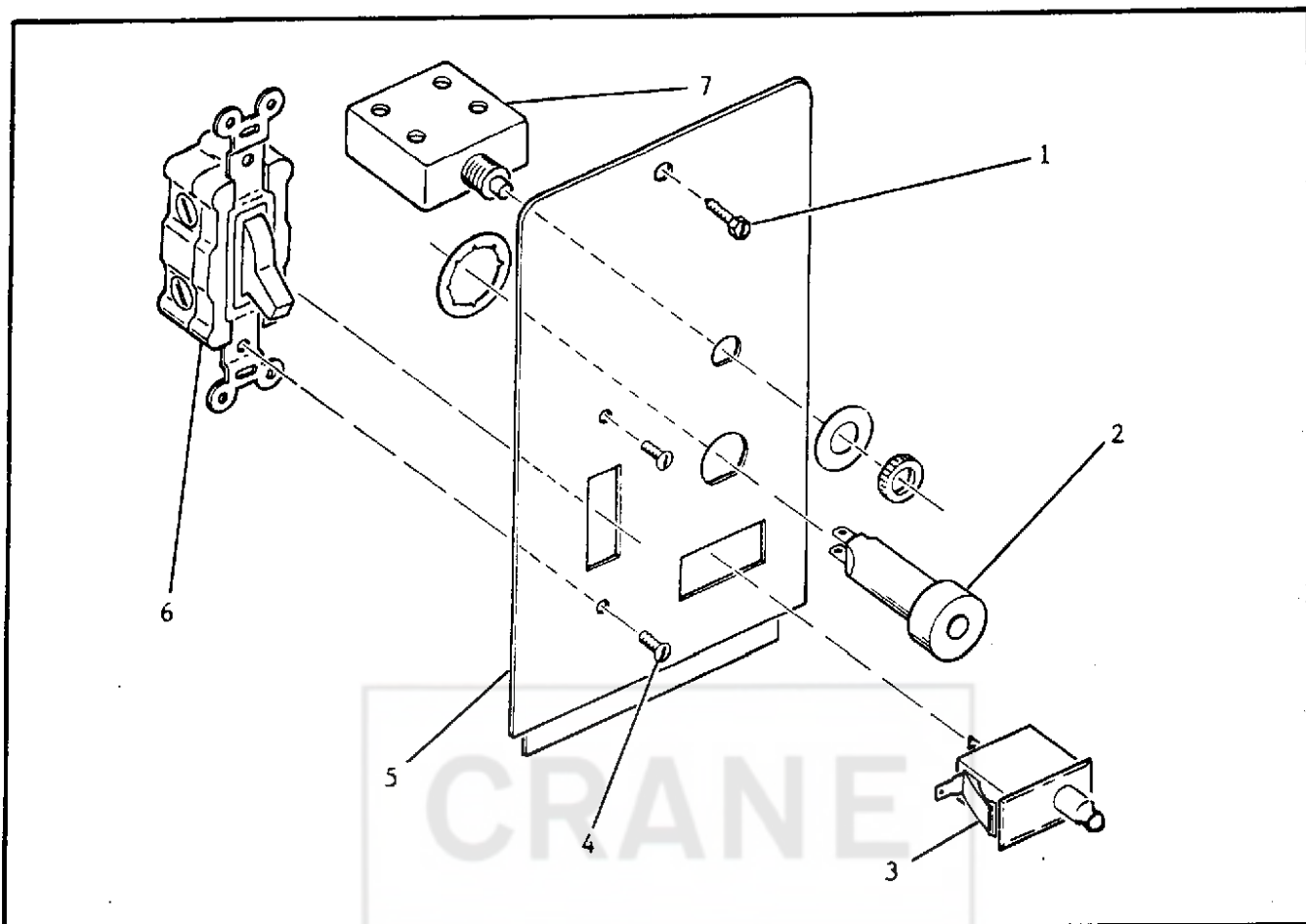
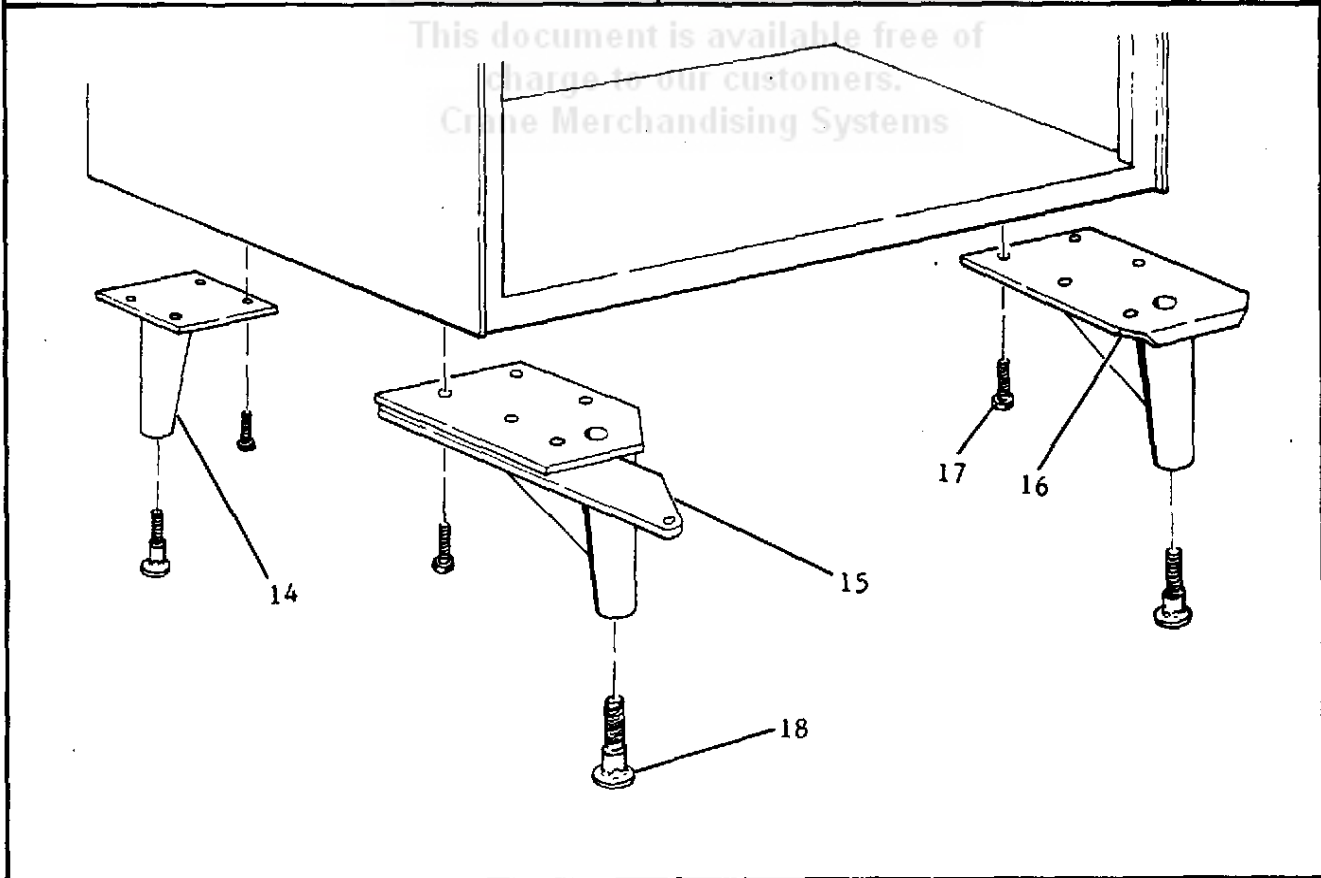
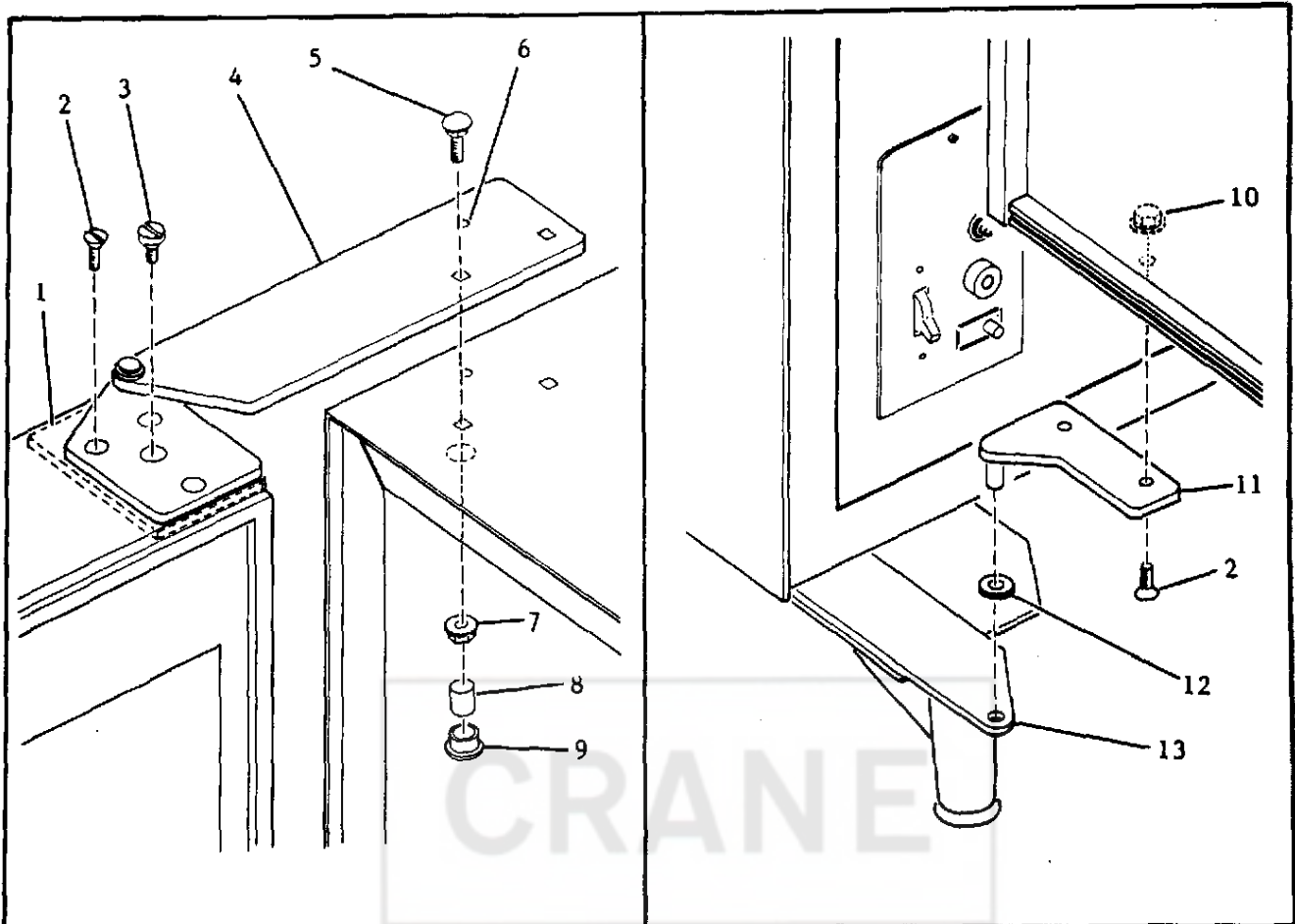


Figure 10. Power Panel Assembly

This document is available free of charge to our customers.
Crane Merchandising Systems

Index No.	Description	Part Number	No. Req.
	Power Panel Assembly (See Figure/Index 1/14, 6/11 for next higher assembly)	4301093	Ref
1	Screw - #8-32 x 5/16 Hex WHS T/C	*	1
2	Circuit Breaker, - 4 amp	9989672	1
3	Switch, Test - Load Switch (Rotates Turret With Door Open)	1236050	1
4	Screw #6-32 x 3/8 RHS	*	2
5	Panel, Power Control	4301094	1
6	Switch DPST, 20 Amp	9984616	1
7	Circuit Breaker - 20 amp	9989673	1
	* Purchase at Local Hardware Store		



This document is available free of charge to our customers. Crane Merchandising Systems

Figure 11. Hinge and Leg Assemblies

SHOPPERTRON

Index No.	Description	Part Number	No. Req.
1	Nut Plate - Upper Hinge	4302037	1
2	Screw #1/4-20 x 5/8 FHS Machine	*	5
3	Screw - Lock Plate	5264629	1
4	Hinge Assembly - Door - Upper	4302148	1
5	Bolt #5/16-18 x 3/4 Carr Bolt	1171021	2
6	Screw #10-32 x 1/2 Hex WHS T/C	*	1
7	Nut #5/16 - 18 Keps Con/Ser Wash	1211105	2
8	Insulation - Hole Plug	4301256	2
9	Hole Plug - Domed	4301086	2
10	Nut #1/4-20 Whiz-Lock	1172021	2
11	Assembly Door Hinge Lower	1172037	1
12	Bearing - Thrust - Lower Hinge	4242145	1
13	Leg, Hinge and Leveler Assembly	4301038	1
14	Leg Assembly - Cabinet	1171063	2
15	Plate Assembly - Leg and Hinge	4301041	1
16	Leg Assembly - Right Front	4301039	1
17	Screw #5/16-18 x 3/4 Hex	*	16
18	Leveler Cabinet	1471098	4
	* Purchase at Local Hardware Store		

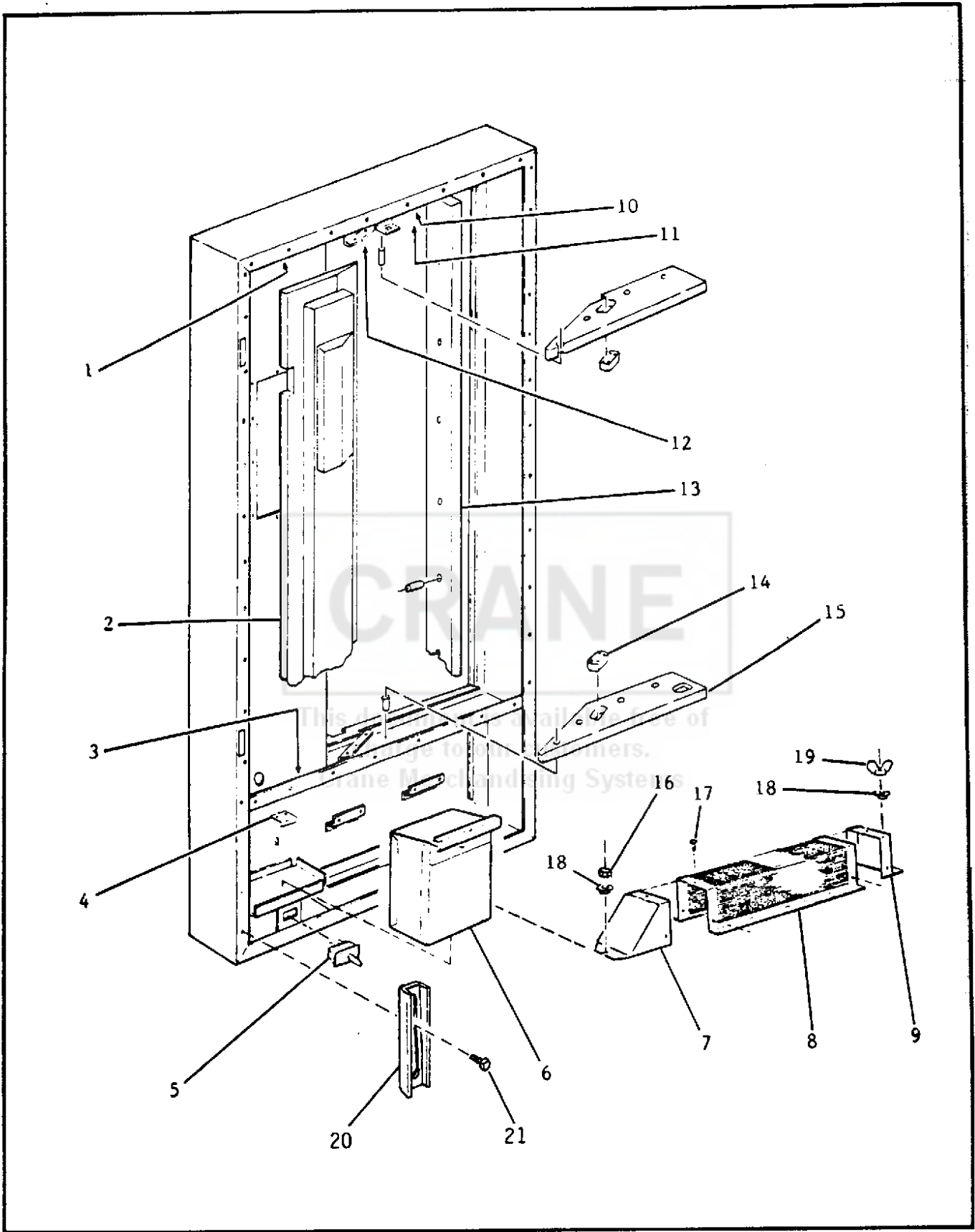


Figure 12. Door Insulation and Miscellaneous

SHOPPERTRON

Index No.	Description	Part Number	No. Req.
1	Insulation - Door - Filler (not shown)	4302099	2
2	Insulation - Door - Right	4302097	1
3	Insulation - Door Front (not shown)	4302150	1
4	Angle - Money Box Lock	4302022	1
5	Switch 2DM4 - Door Interlock (Starts Compressor and Fans)	1211141	1
6	Money Box Assembly	1451029	1
7	End Cap Screen Front (See Figure/Index 1/11 for next higher assembly)	4302163	1
8	Screen Front	4302144	1
9	End Cap Screen Front	4041057	1
10	Insulation - Door - Top (not shown)	4302095	1
11	Insulation - .50 Dia. x 11.12 (not shown)	4302152	2
12	Insulation - .50 Dia. x 12.00 (not shown)	4302151	2
13	Insulation - Door - Left	4302098	1
14	Support - Center Post	4302036	2
15	Insulation - Door - Bottom	4302096	2
16	Nut #10-32 Keps	*	1
17	Screw #8-32 x 1/4 RHS S/T	*	6
18	Bushing Front Screen	1122521	2
19	Wing Nut	9900039	1
	* Purchase at Local Hardware Store		
20	Door Support Channel	4302237	1
21	Screw, #10-32 x 3/8 Acorn Hex W/HD T/C	1141046	2
	Not Shown: Label - Caution	4302239	1

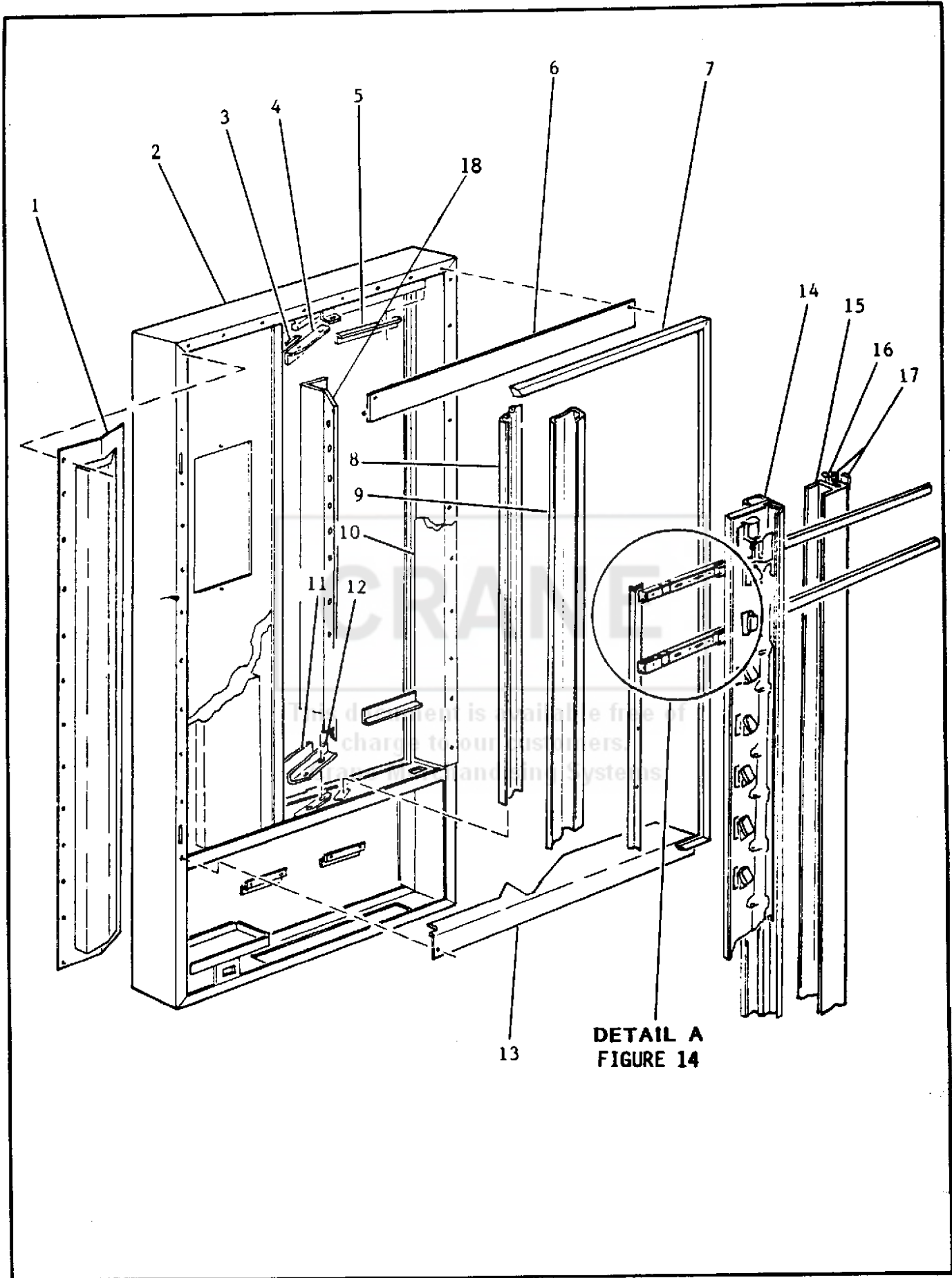
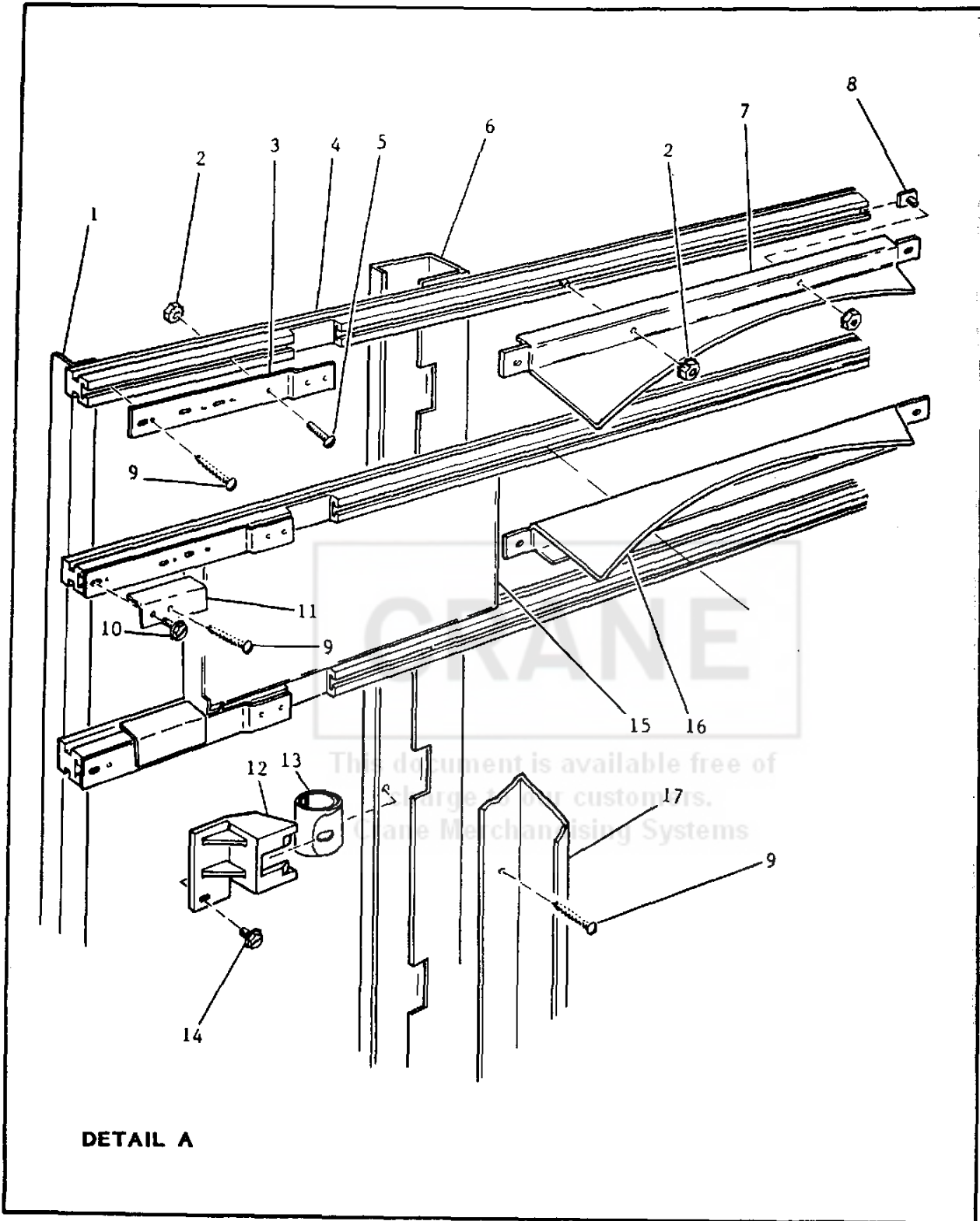


Figure 13. Door Assembly, Internal

SHOPPERTRON

Index No.	Description	Part Number	No. Req.
1	Liner - Door - Right (Screw #8-32 x 5/16 THS S/T)	4302030 *	1 42
2	Door Assembly - Weld	4302005	1
3	Retainer - Door - Top	4302076	1
4	Retainer - Insulation - Top	4302081	1
5	Angle - Glass - Top	4302075	2
6	Liner - Door - Top	4302028	1
7	Gasket - Door	4302094	1
8	Stiffener - Center Post	4302136	1
9	Baffle - Door	4302199	1
10	Liner - Door - Left	4302027	1
11	Retainer - Door - Bottom	4302077	1
12	Retainer - Insulation - Bottom	4302082	1
13	Liner - Door - Bottom	4302029	1
14	Door Mechanism Assembly (See Figure 15)	4302351	1
15	Cover - Door Channel	4302035	1
16	Foam Tape - 47.76"	4302165	1
17	Foam Tape - 48"	4302189	2
18	Bracket and Screen Assembly	4302139	1
	* Purchase at Local Hardware Store		
NOT SHOWN	Trim - Door - Bottom Protective Cover over Index 13	4302120	1



DETAIL A

Figure 14. Selection Door and Door Guide Assembly

SHOPPERTRON

Index No.	Description	Part Number	No. Req.
	(See Figure 13, Detail A)		
1	Angle - Support - Guide	4302106	1
2	Nut #8-32 Keps Zinc Plate	9900081	30
3	Bar - Door Guide	4302105	10
4	Guide - Door	4302228	10
5	Screw #8-32 x 1" THSM	*	10
6	Channel - Springs	4302143	1
7	Stiffener - Guide - Top	4302118	1
8	T Bolt Trim	2222110	20
9	Screw #8-18 x 1 1/2 RHS S/T	*	20
10	Screw #8-32 x 5/16 Hex WHS T/C	*	14
11	Stop - Door	4302225	9
12	Housing - Spring	4302113	9
13	Spring - Door	4322235	9
14	Screw #8-32 7/32 Hex WHS T/C	*	9
15	Door Vend Assembly	4312277	9
16	Stiffener - Door Guide	4302117	9
17	Angle - Mechanism Support	4302222	1
	* Purchase at Local Hardware Store		



This document is available free of charge to our customers.
Crane Merchandising Systems

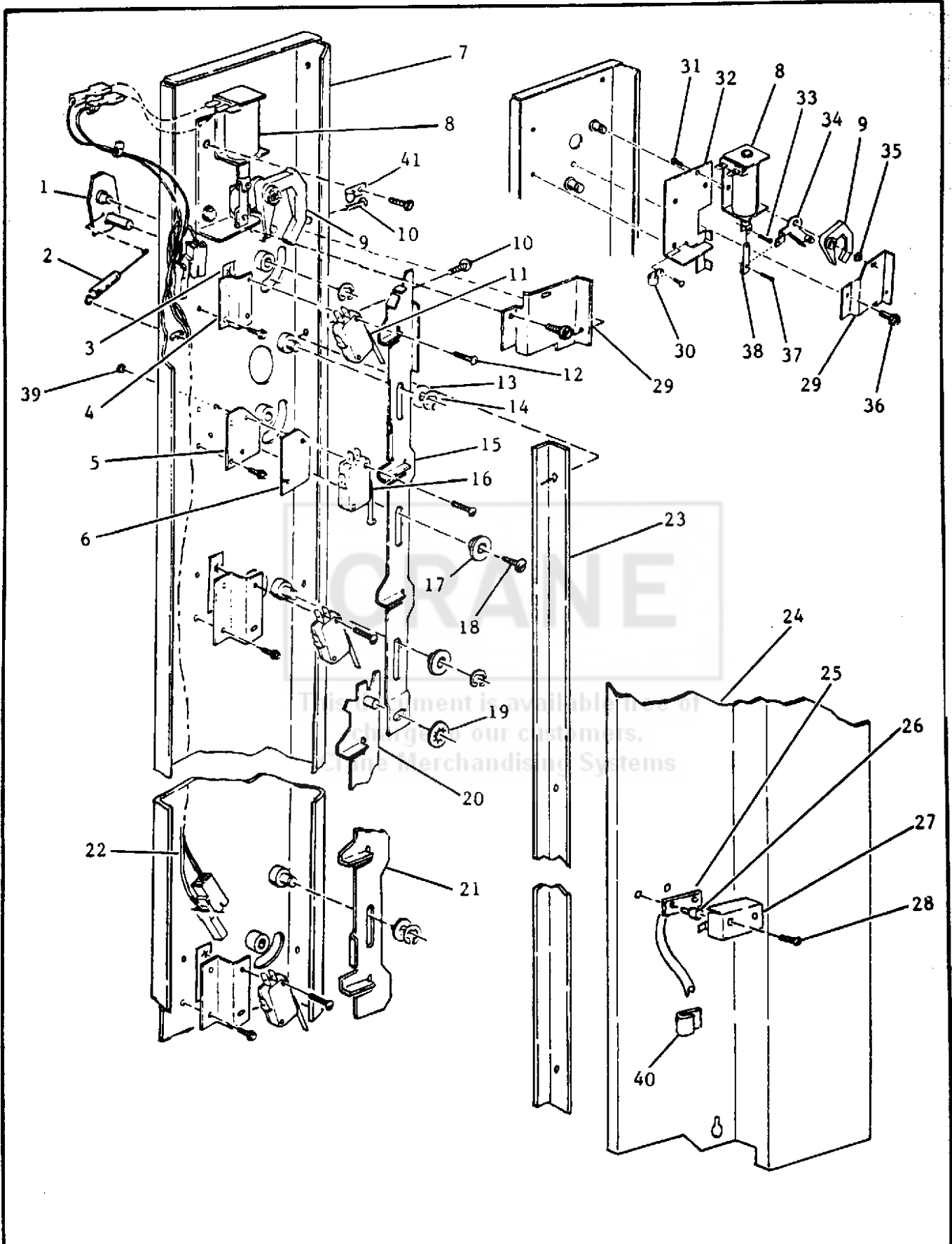
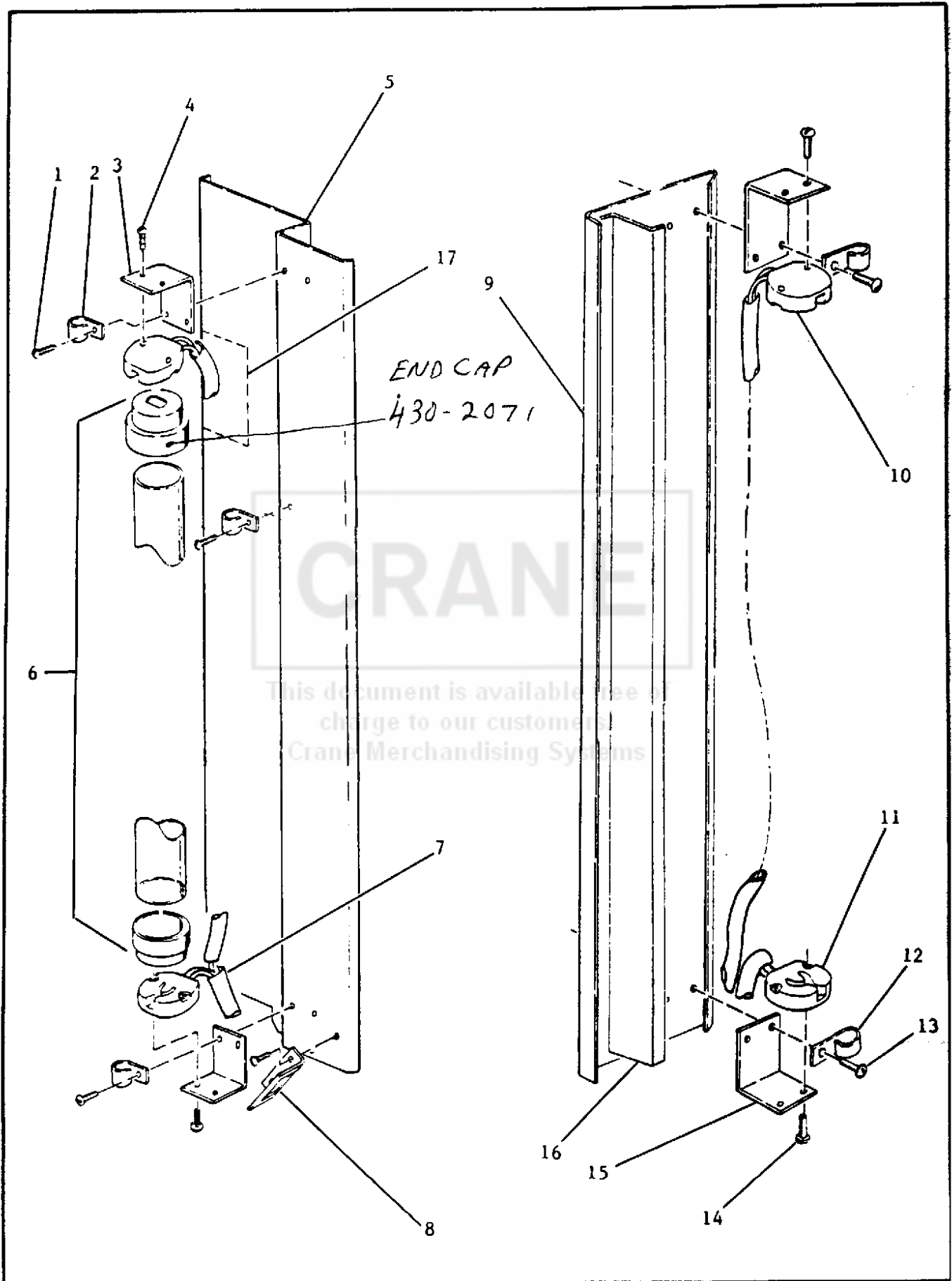


Figure 15. Door Mechanism Assembly

SHOPPERTRON

Index No.	Description	Part Number	No. Req.
	Door Mechanism Assembly (See Figure/Index 13/14 for next higher assembly)	4302351	Ref
1	Lockout Arm Assembly	4302360	9
2	Spring - Lockout Arm	4302339	9
3	Fastener - Twin Type	4302316	10
4	Bracket - Switch	4302315	9
5	Plate - Switch	4302318	1
6	Insulator Switch	6112042	1
7	Mechanism Panel Assembly	4302350	1
8	Solenoid Assembly	4252029	1
9	Lever - Anti Cheat	4302338	1
10	Screw #8-32 x 7/32 HWHD S/T	*	4
11	Switch V3L -2201 - D8	9984633	9
12	Screw #4-40 x 5/8 RHS Machine	*	20
13	Washer Brass 9/16 x 5/16	9900171	6
14	Retaining Ring E Type 5/16	9900146	15
15	Lockbar - Upper	4302345	1
16	Switch	9984637	1
17	Retainer	4302348	2
18	Screw #8-32 x 3/8 Hex S/T	*	2
19	Push-on Retainer	5201267	2
20	Lockbar Center Assembly	4302324	1
	Wire Clamp .302 Diagram (Not Shown)	2221049	1
21	Lockbar Lower Assembly	4302320	1
22	Harness - Mechanism Vend Door Switch	4319030	1

Index No.	Description	Part Number	No. Req.
23	Lockbar Angle	4302223	1
24	Cover - Mechanism	4302135	1
25	Temperature Sensor PCB Assembly (See Figure/Index 1/5 for next higher assembly)	9989548	1
26	Support - Circuit Board	5911208	2
27	Cover - Temperature Sensor	4302171	1
28	Screw #6-32 x 1/4 PHS S/T	9900130	2
29	Cover - Pawl	4302224	1
30	Cable Clamp - Richco #4	1211161	7
31	Screw #6-32 x 3/16 RHS W/LW	*	2
32	Plate - Solenoid	4302329	1
33	Cotter Pin 3/32 x 3/4 in.	*	1
34	Pawl Assembly	4302332	1
35	Retaining Ring E Type 3/16	9900122	1
36	Screw #8-32 x 7/32 HWHD	*	22
37	Cotter Pin 1/16 x 7/16	*	1
38	Link Solenoid	4076510	1
39	Nut #4-40 Keps Ext LW	*	2
	* Purchase at Local Hardware Store		
40	Cable Clip	4302166	.5
41	Retainer - Harness	1452139	1



Index No.	Description	Part Number	No. Req.
	(See Figure/Index 1/1 for next higher assembly)		
	Lamp Flourescent 40 Watt (not shown) 48" "Deluxe Cool White"	4031149	2
1	Screw #8-32 x .31 HWS	*	4
2	Wire Clamp .302 Dia	2221049	3
3	Angle - Light	4302086	2
4	Screw #4-36 x 7/16 RHS	*	4
5	Cover - Mechanism (Screw #8-32 x 1" THSM)	4302135 *	1 3
6	Safety Sleeve Assembly	4302069	1
7	Harness - Flst. Light	4302074	1
8	Bracket - Flourescent Plug	4302093	1
9	Bracket - Light	4302085	1
10	Flst. Socket - Upper	4302072	1
11	Flst. Socket - Lower	4302073	1
12	Wire Clamp .302 Dia.	2221049	2
13	Screw #8-32 x 3/8 Hex S/T	*	3
14	Screw #4-36 x 7/16 RHS	*	4
15	Angle - Light	4302086	2
16	Shield - Light	4302138	1
17	Decal - Tray Price	4302230	1
	* Purchase at Local Hardware Store		

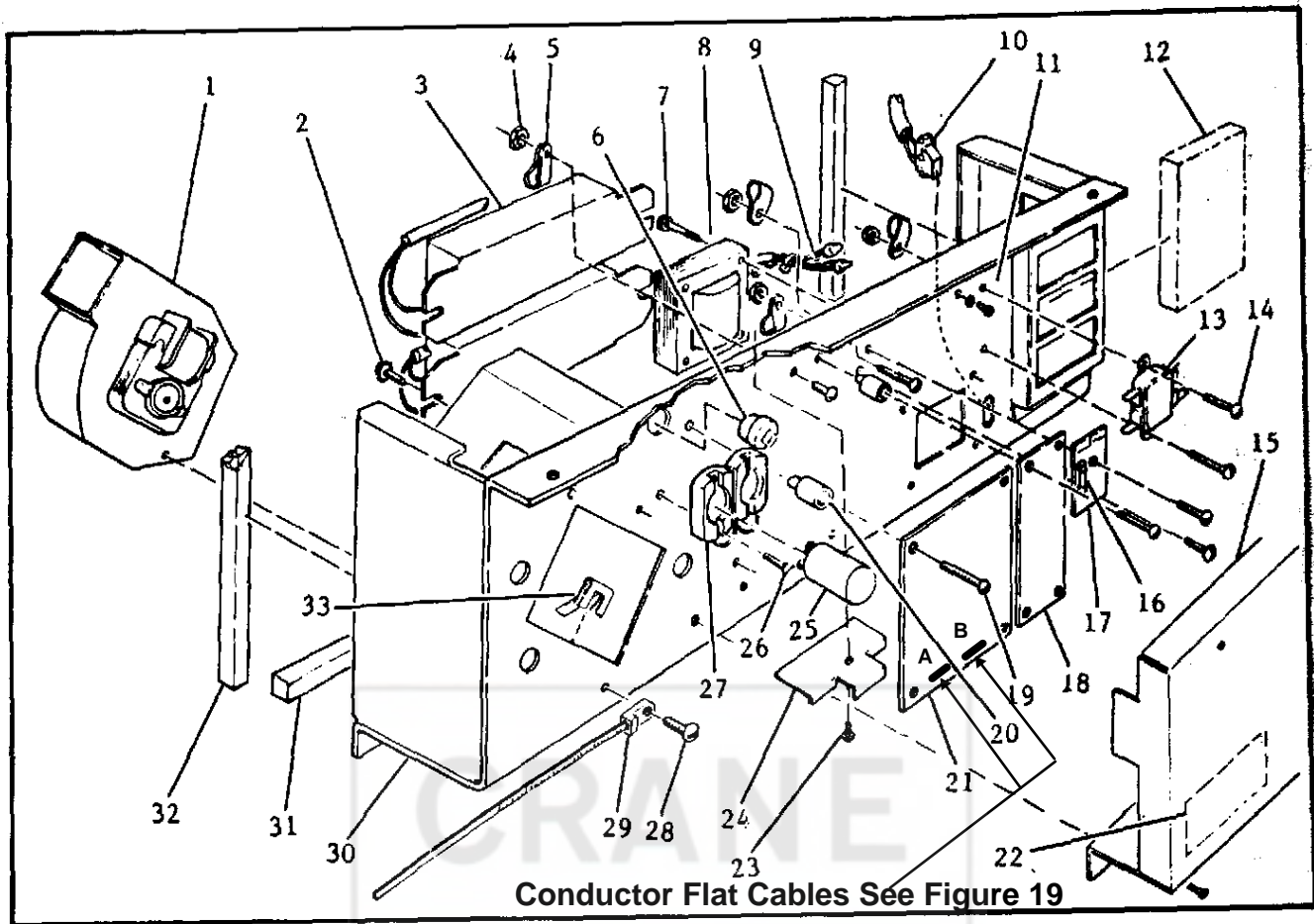


Figure 17. Door Duct and Electrical Assembly

Index No.	Description	Part Number	No. Req.
	Door Duct and Electrical Assembly (See Figure/Index 1/12 for next higher assembly)	4302540	Ref
1	Blower Assembly	4312210	1
2	Screw #8-32 x 5/16 PHS T/F W/LW	*	6
3	Ballast Assembly Center Light	4241135	2
4	Nut #8-32 Keps	*	3
5	Cable Clamp Richco #N7B	3102348	3
6	Straight Thru Heyco	4302546	1
7	Screw #8-32 x 1.25 Hex WHS	*	4
8	Transformer Assembly	9989013	1
9	Harness - Power to Ballast	4302565	1

Index No.	Description	Part Number	No. Req.
10	Suppression Network Assembly	1451124	1
11	Screw #8-32 x 5/16 PHS T/F W/LW (#8 Lockwasher Ext Tooth)	*	1
		*	1
12	Filter - Door Duct	4302551	1
13	Interference Filter	9989100	1
14	Screw #8-32 x 5/8 RHS S/T	*	4
15	Cover - Door Duct (Screw #8-32 x 7/32 HWHD)	4302553	1
		*	2
16	Fuse #AGC - 3/4	*	1
17	Terminal Board Assembly	1451127	1
18	PCB Assembly - Power Supply	9989480	1
19	Screw # 8-18 x 1/2 PHS	*	10
20	Plastic Expansion Nut .25	9989329	8
21	Interface PCB Assembly	4302641	1
22	Label - Caution - Electric	9989411	1
23	Screw #8-32 x 5/16 Hex WHS T/C	*	1
24	Retainer - Cover	4302575	1
25	Flourecent Lamp Starter	4031150	2
26	Screw #4-40 x 1/2 RHS Machine	*	4
27	Starter Sockets Assembly	4302564	2
28	Screw #8-32 x 1/2 RHS S/T	*	2
29	Wire Tie	5230618	1
30	Door Duct Assembly	4302541	1
31	Gasket - Door Duct	4302548	2
32	Gasket - Door Duct - Side	4302549	2
	* Purchase at Local Hardware Store		
33	Speed Clip - "V" Type	3157029	1

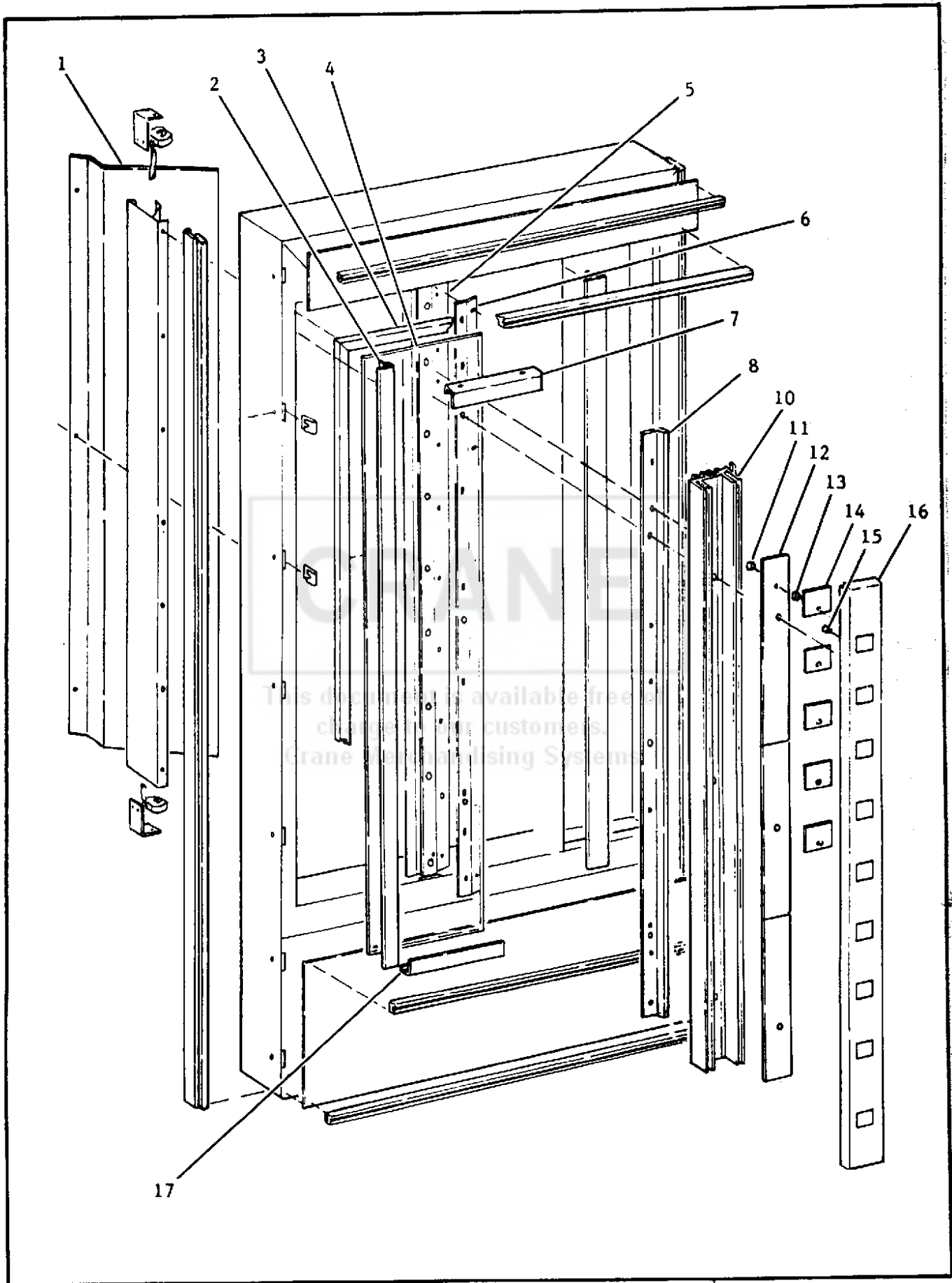


Figure 18. Door Assembly External

Index No.	Description	Part Number	No. Req.
	Door Group - Common	4302000	Ref
1	Window - Door	4302198	1
2	Trim - Door - Left	4302119	1
3	Gasket - Window	4302219	1
4	Insulated Glass Assembly	4302025	1
5	Stiffener - Center Post	4302136	1
6	Locator - Door Guide	4302089	1
7	Retainer - Glass - Top	4302078	1
8	Angle - Center Post	4302034	1
9	Not Used		
10	Post Center - Door	4302236	1
11	Nut #8-32 Keps	*	9
12	Price Display PCB Assembly	4302534	1
13	Spacer - P.C. Board	4302134	9
14	Lens - Price	4302133	9
15	Spacer - Liner - .375 Lg x .500 Dia.	4241165	3
16	Cover Assembly - P.C. Board	4302129	1
17	Retainer - Glass - Bottom	4302079	1

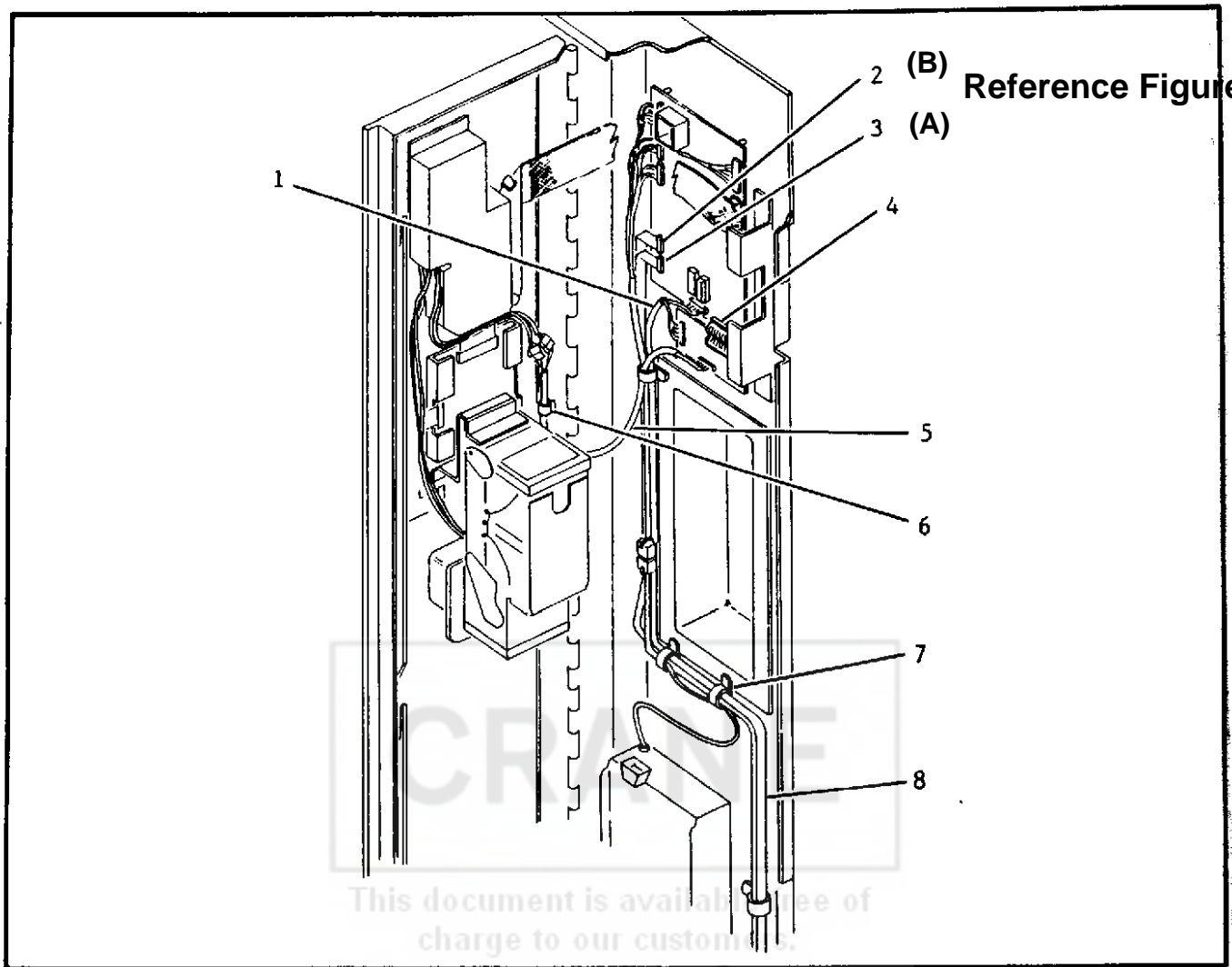


Figure 19. Monetary Door, Harness Drawing

Index No.	Description	Part Number	No. Req.
1	Harness - Coin Handling	4302562	1
2	Cable Assembly - 16 Cond. (B)	4302568	1
3	Cable Assembly - 14 Cond. (A)	4302567	1
4	Jumper - Monetary Board	4304069	1
5	Harness - Validator (Maka)	4302563	1
	Harness - Validator - Mars	4305055	1 Opt
6	Harness Clip - 5/16	*	1
7	Cable Clamp 3/4 in.	1411142	4
	Cable Clamp	3106144	2
8	Harness - Vet. Disp. and Monetary	4302561	1

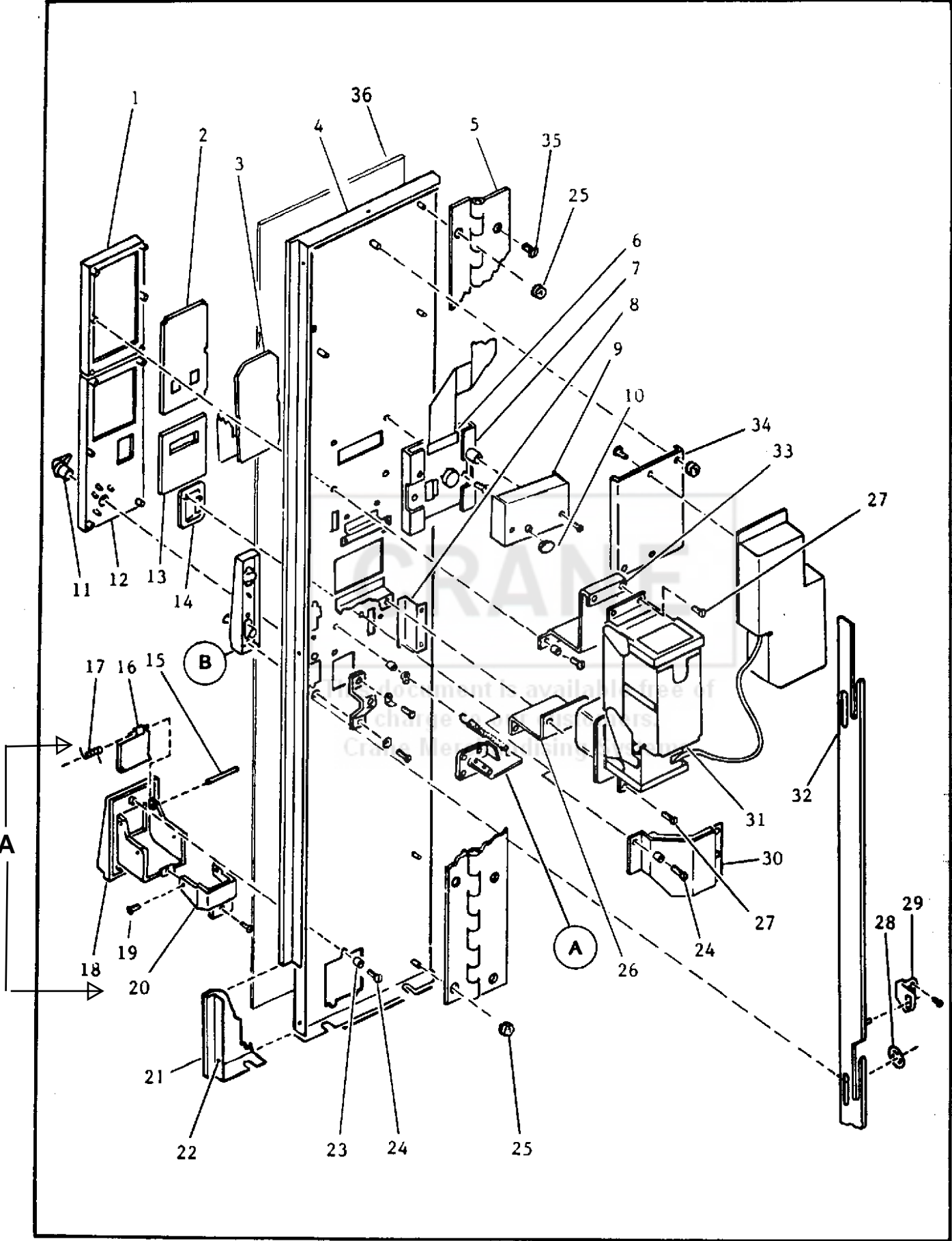


Figure 20. Monetary Group

SHOPPERTRON

Index No.	Description	Part Number	No. Req.
	Monetary Group (See Figure 19 for assembly)	4305000	Ref
1	Bezel - Push Button (Screw #8-32 x 7/32 Hex WHS) (Washer 3/8 x 11/64)	4255026 * *	1 2 2
2	Insert - Inst. - Upper - Val. Insert - Inst. - Upper - Coins Only	4305023 4305054	1 1
3	Pushbutton Assembly - Membrane and Arrow Sheet	4305075	1
4	Door Weld Assembly - Monetary	4305053	1
5	Hinge - Monetary Door	4305011	1
6	PCB Assembly - Display Use If Item 6b Installed Previously	9989628	1
6b	Kit - Display (Replaces Original Display Obsolete March-1996)	4305086	1
7	Bracket - Display Mounting	4305038	1
8	Bracket - Chute Mounting	4302049	1
9	Cover - Data Access (Screw #8-18 x 1 1/2 RHS T/C)	4305036 *	1 2
10	Hole Plug	1452016	1
11	Handle - Scavenger	1452191	1
12	Casting - Scavenger and Readout (Screw #8-32 x 7/32 Hex WHS) (Washer 3/8 x 11/64)	4305019 * *	1 2 2
13	Insert - Inst. - Validator Insert - Inst. - Lower (Opt.)	4305022 1452362	1 1
14	Coin Insert	1452061	1
A	Coin Return Receptacle Assembly	1272135	Ref
15	Pin Gate	1272039	1
16	Gate Coin Receptacle	1272132	1
17	Spring Coin Return Door	1212117	1
18	Coin Receptacle	1272131	1

Index No.	Description	Part Number	No. Req.
19	Screw #6-20 x 3/8 PHS T/C	*	3
20	Plate Receptacle 21 ICE	1272044	1
21	Trim Panel - Monetary Door, IBM	4305064	1
	Trim Panel - Monetary Door	4305052	1
22	Rivet Steel Drive .125 x 18	4242282	5
23	Spacer Cup	2302053	12
24	Screw #8-10 x 3/8 Hex T/F	*	5
25	Nut #10-32 Keps	*	8
26	Bracket - Lower - Maka Validator	4305015	1
27	Screw #8-32 x 5/16 Hex WHS T/C	*	21
28	Retaining Ring Reinf E Type 1/4	*	4
29	Actuator Assembly Lock Bar	2272052	1
30	Coin Chute, Back and Cover Assembly (Screw #8-3/8 PHS Sheet Metal)	4305048 *	1 2
31	Validator and Controller (MAKA)	1452359	1
	Validator and Controller (MARS)	4302357	Opt
	(Screw, #8-32 x 1/4 THS, S/T)	2226029	2
32	Lock Bar Assembly	4305027	1
33	Bracket - Upper - Maka - Val.	4305016	1
34	Bracket - Elec. Mtg. - Maka	4305018	1
35	Screw #8-32 x 3/8 Hex WHS T/C	*	7
36	Trim Panel - Monetary Door	4305052	1
A	Scavenger (See Detail A, Figure 21)		
B	Base - Lever Lock (See Detail B, Figure 22)		
	* Purchase at Local Hardware Store		

SHOPPERTRON

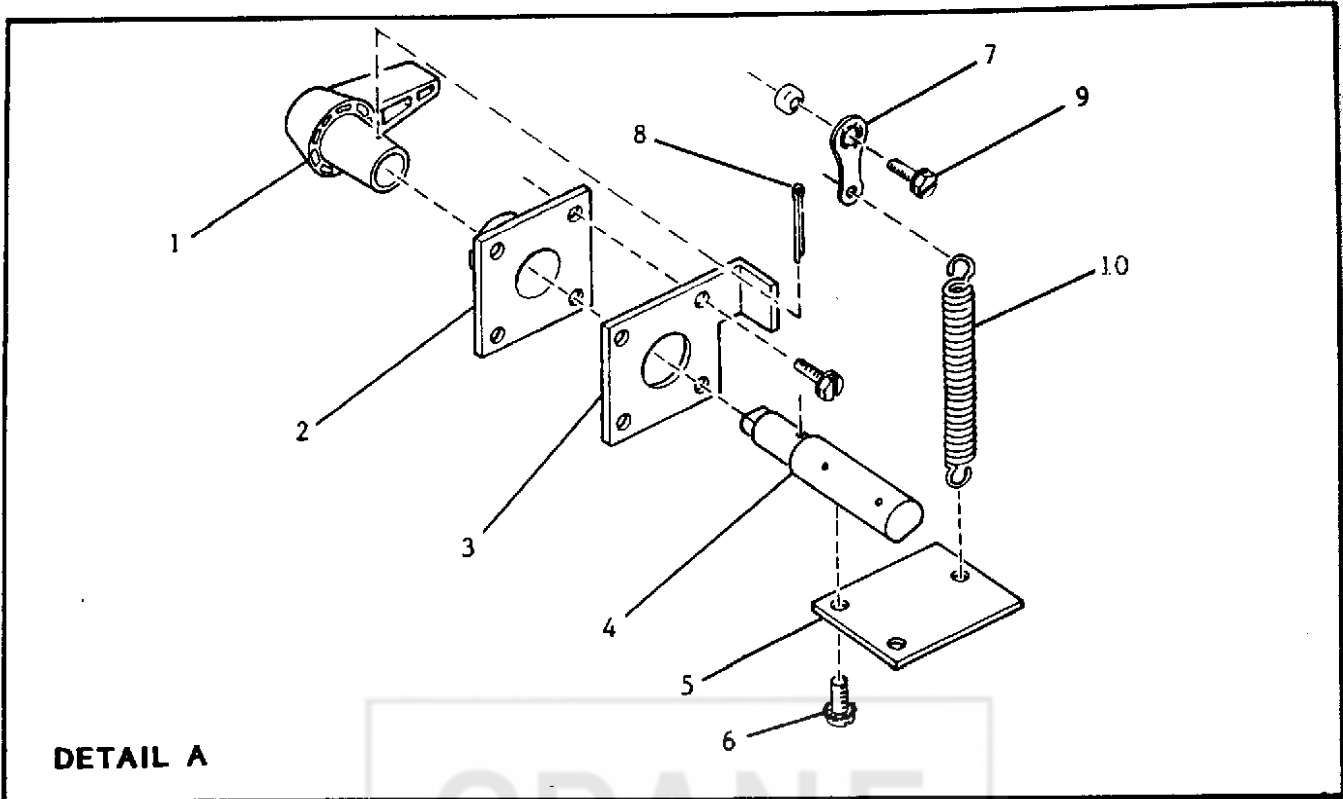


Figure 21. Scavenger Assembly

Index No.	Description	Part Number	No. Req.
	(See Figure 20, Detail A)		
1	Handle - Scavenger	1452191	1
2	Bearing Scavenger	1402014	1
3	Stop - Coin Return Lever	4305026	1
4	Shaft - Coin Return	4305050	1
5	Lever - Coin Return	4305062	1
6	Screw #8-32 x 1/4 PHS W/LW	*	2
7	Locking Terminal Lug	4241235	1
8	Cotter Pin 3/32 x 3/4 in.	*	1
9	Screw #8-32 x 5/16 Hex WHS T/C	*	5
10	Spring Common Bar	4076515	1
	* Purchase at Local Hardware Store		

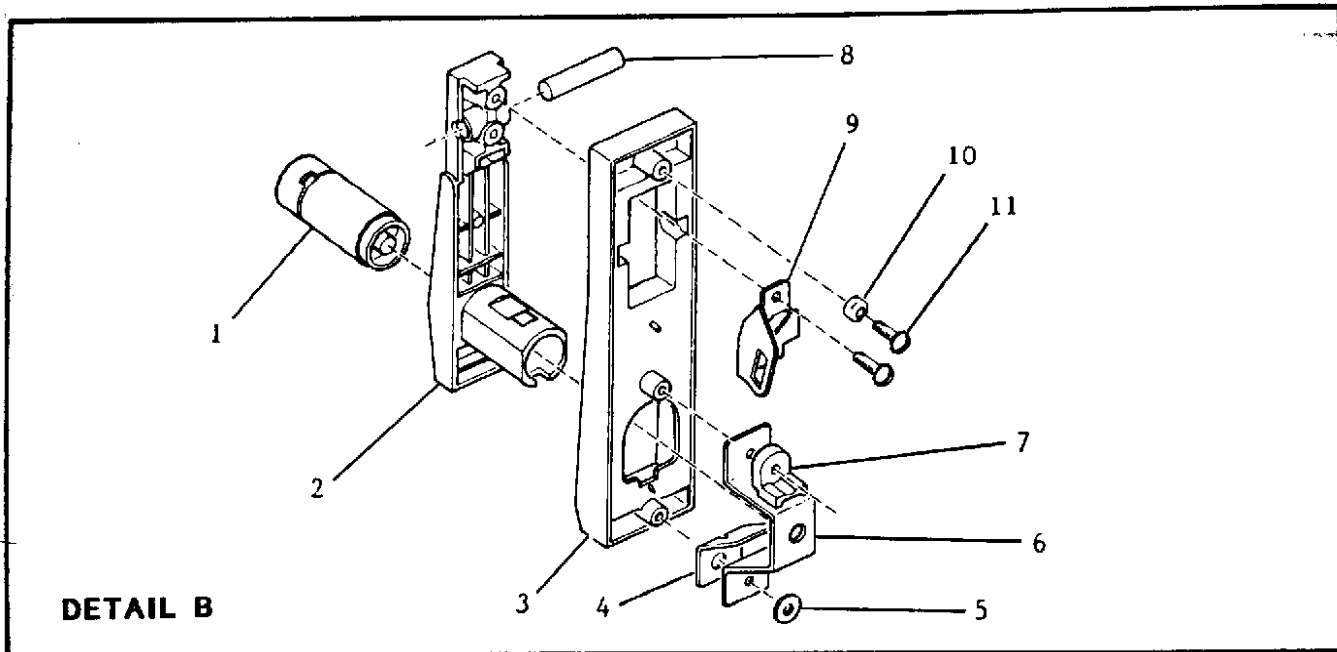


Figure 22. Lift Handle Lock Assembly

Index No.	Description	Part Number	No. Req.
	(See Figure 20, Detail B)		
1	Cylinder Flex Ace Lock (Optional) Key Chicago Lock (Optional) Cylinder Van Lock (Optional) Key Van Lock (Optional)	9992000 9994000 3112163 3112164	
2	Lever Lock	1172190	1
3	Base Lever Lock	1172191	1
4	Latch, Lock, Lower	1302290	1
5	Washer 7/16 x 13/64	*	1
6	Catch - Door Latch	1302324	1
7	Shield - Latch	1302326	1
8	Pivot Lever Lock	1302291	1
9	Actuator Assembly - Lock Bar	2272052	1
10	Spacer Cup	2302053	2
11	Screw #10-32 x 1/2 RHS W/LW	*	5
	* Purchase at Local Hardware Store		

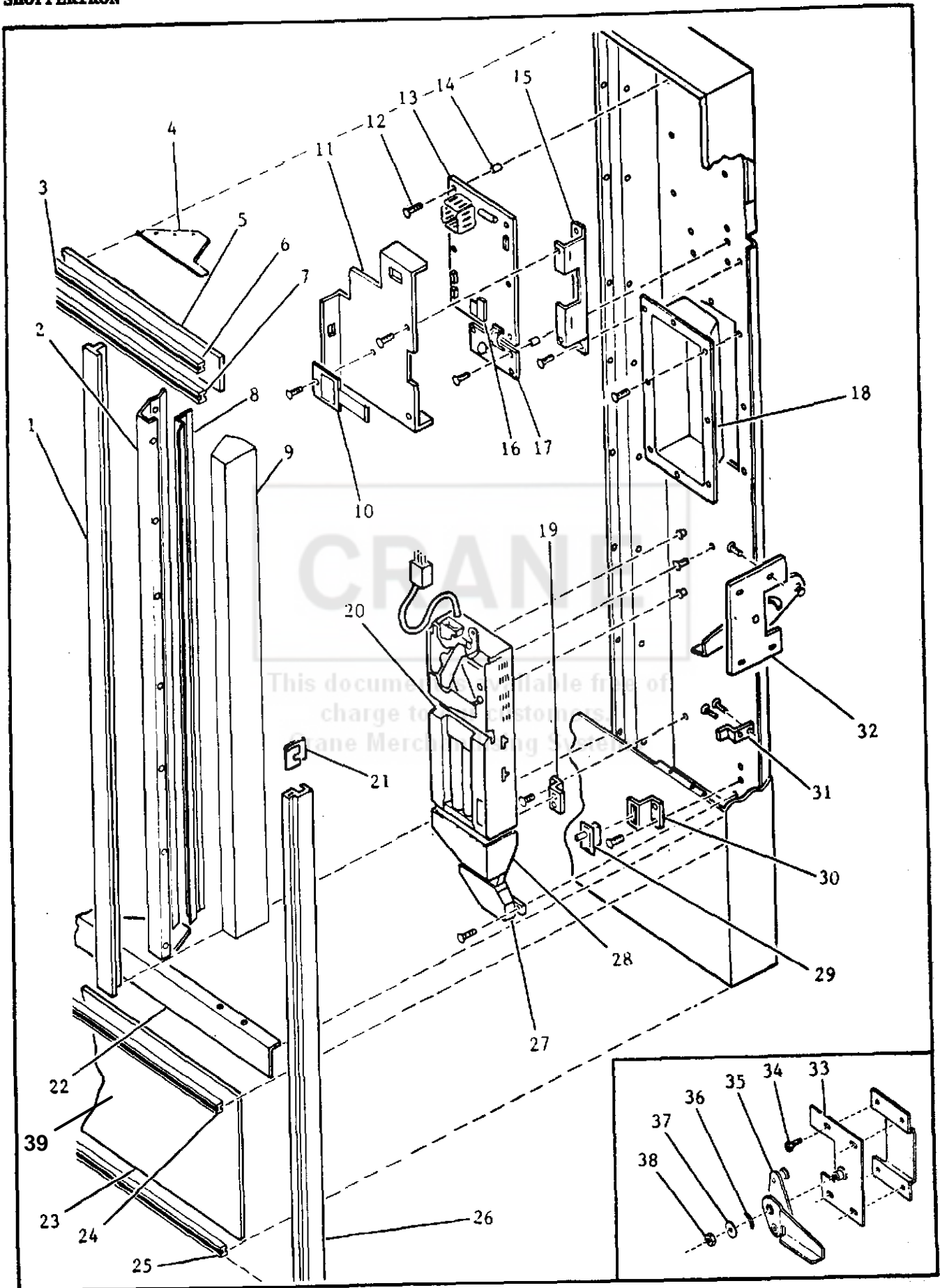


Figure 23. Door Trim and Monetary

Index No.	Description	Part Number	No. Req.
1	Trim - Monetary	4302109	1
2	Cover - Duct	4302142	1
3	Trim Insert Imperial Crown and Golden II	Black 1302479	4
	Series 2000	Black 1302479	2
	Series 2000	Sterling 1452231	2
4	Trim - Door	4302122	1
5	Panel, Top Trim	Sterling 3152447	1
		Walnut 1452062	1
		Black Embossed 1452225	1
		Embossed Cane 1452081	1
		Rosewood 1452120	1
		Honeytone 1452118	1
		Regency 1452119	1
	Trim Panel, Top Kashmir Walnut Vinyl - ARA	4302126	1
	Honeytone Teak - Vinyl - ARA	4302128	1
	Trim Panel, Top	4302235	1
6	Trim - Door Top	Clear 4302124	1
		Bronze 4302104	1
		Black 4302115	1
7	Trim - Door - Horizontal	Clear 4302121	1
		Bronze 4302102	1
8	Bracket and Screen Assembly (Screw #8-32 x 1/4 RHS S/T)	4302139	1
		*	6
9	Duct and Caps Assembly	4302200	1
10	Data Switch Assembly (Screw #8-32 x 3/8 PHS T/F)	4302533	1
		*	1
11	Cover - Controller (Screw #8-32 x 3/8 PHS T/F)	4302511	1
		*	2
12	Screw #8-18 x 3/4 RHS S/T	*	10
13	Controller Assembly - Shopper OBSOLETE	9989542	1
14	Spacer .375 Lg x .500	4241165	10
15	Bracket - Cover	4302514	1
16	IC Assembly - EPROM - Prog.	4302584	1
17	PCB Assembly - PCB - Coin Handling & Validator NOTE: PCB has - a row of 10 pins down one side you may only need to use 7.	9989586	1
18	Validator Housing and Tape	4302185	1
19	Bracket - Coin Chute Mtg.	4305008	1
20	Cointronic 3000 US Coin Validator	5307102	1

SHOPPERTRON

Index No.	Description	Part Number	No. Req.
21	Clip - Door Trim (Screw #8-3/8 PHS Sheet Metal)	4302116 *	14 14
22	Trim - Door - Bottom	4302120	1
23	Panel Bottom Trim Walnut	Walnut 1452063	1
		Slate 1452213	1
		Embossed Cane 4172804	1
		Dove 1452226	1
		Rosewood 1452111	1
		Honeytone 1452109	1
		Regency 1452110	1
		Golden II 1452087	1
	Bottom Panel (Handle)	1302804	2
	(Screw #8-32 x 5/16 RHS T/C)	9900174	4
	Trim , Bottom Kashmir Walnut, Vinyl	4302127	1
24	Trim Assembly Door Horizontal	Clear 1302478	1
		Bronze 1452089	1
25	Trim Bottom	Clear 1302484	1
		Bronze 1302835	1
		Black 1452229	2
26	Trim - Door Side	Clear 4302123	2
		Bronze 4302103	2
		Black 4302114	2
27	Chute - Cash Box	4302090	1
28	Chute - Coin Return	1451334	1
29	Switch - Service Light 1 DM2	6111041	1
30	Bracket - Mon. Interlock	4312218	1
31	Bar - Panel Door Latch (Screw #10-32 x 3/8 Hex W/LW)	4302055 *	3 6
32	Latch/Plate Assembly (See Inset)	4302039	2
33	Plate Assembly - Cabinet Latch Mtg	4302050	1
34	Screw #10-32 x 3/8 Hex W/LW)	*	4
35	Latch Assembly - Cabinet	4302040	1
36	Spring Washer .750 x .395	1141057	1
37	Washer 3/4 x .195	*	1
38	Nut #10-32 Self-Locking	*	1
	* Purchase at Local Hardware Store		
39	KIT - DURA-PANEL (BLACK) 430 - SHOPPER	4312273	

Figure 23

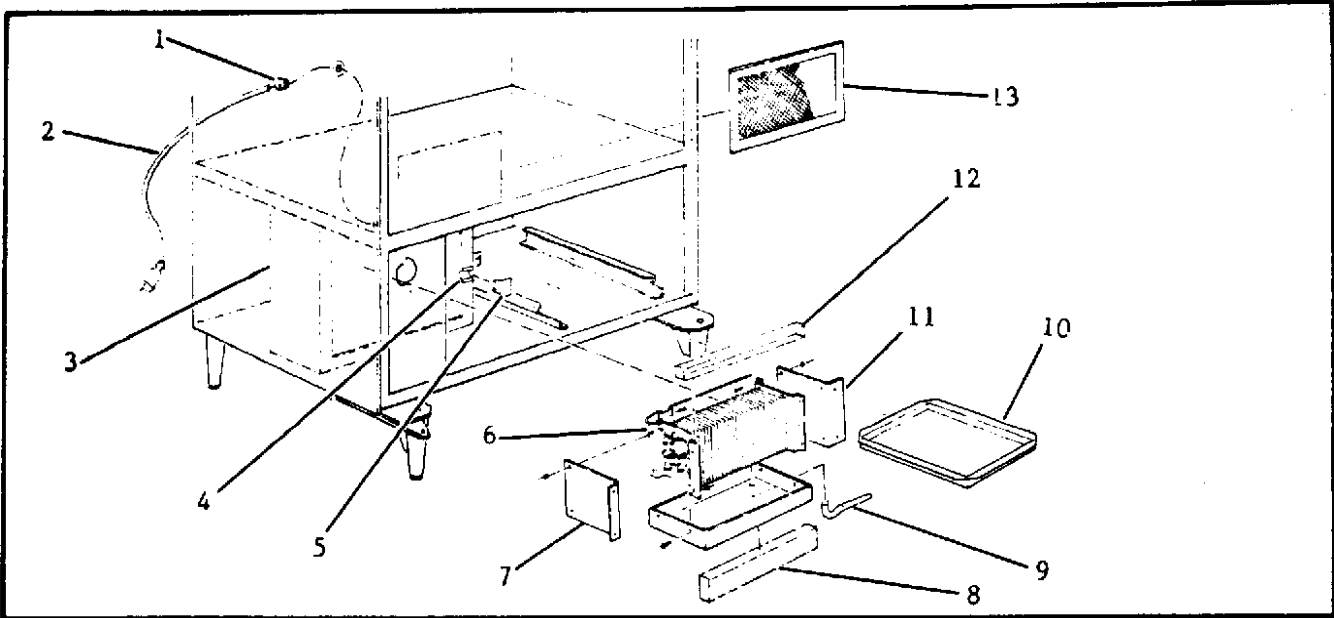


Figure S-1. Lower Cabinet & Evaporator Assembly (OLD STYLE)

Index No.	Description	Part Number	No. Req.
1	Bushing	4021037	1
2	Power Cord Assembly	4071042	1
3	Panel - Evaporator Liner - Back/Bottom	4301085	1
4	Block - Suction Line	4301077	1
5	Clamp - Suction Line	4301076	1
6	Evaporator Assembly	4304017	1
7	Plate - Evaporator Mtg. - LH (Screw #8-32 x 3/8 PHS Stainless) (Nut #8-32 Stainless)	4304029 * *	1 12 12
8	Block - Evaporator Air	4301253	1
9	Drain - Condensate	4301034	1
10	Pan Assembly - Condensate	4304067	1
11	Plate - Evaporator Mgt. - RH	4304028	1
12	Channel - Turret Support	4301048	2
13	Screen - Rear	4301047	1
	* Purchase at Local Hardware Store		

SHOPPERTRON - SERVICE PARTS

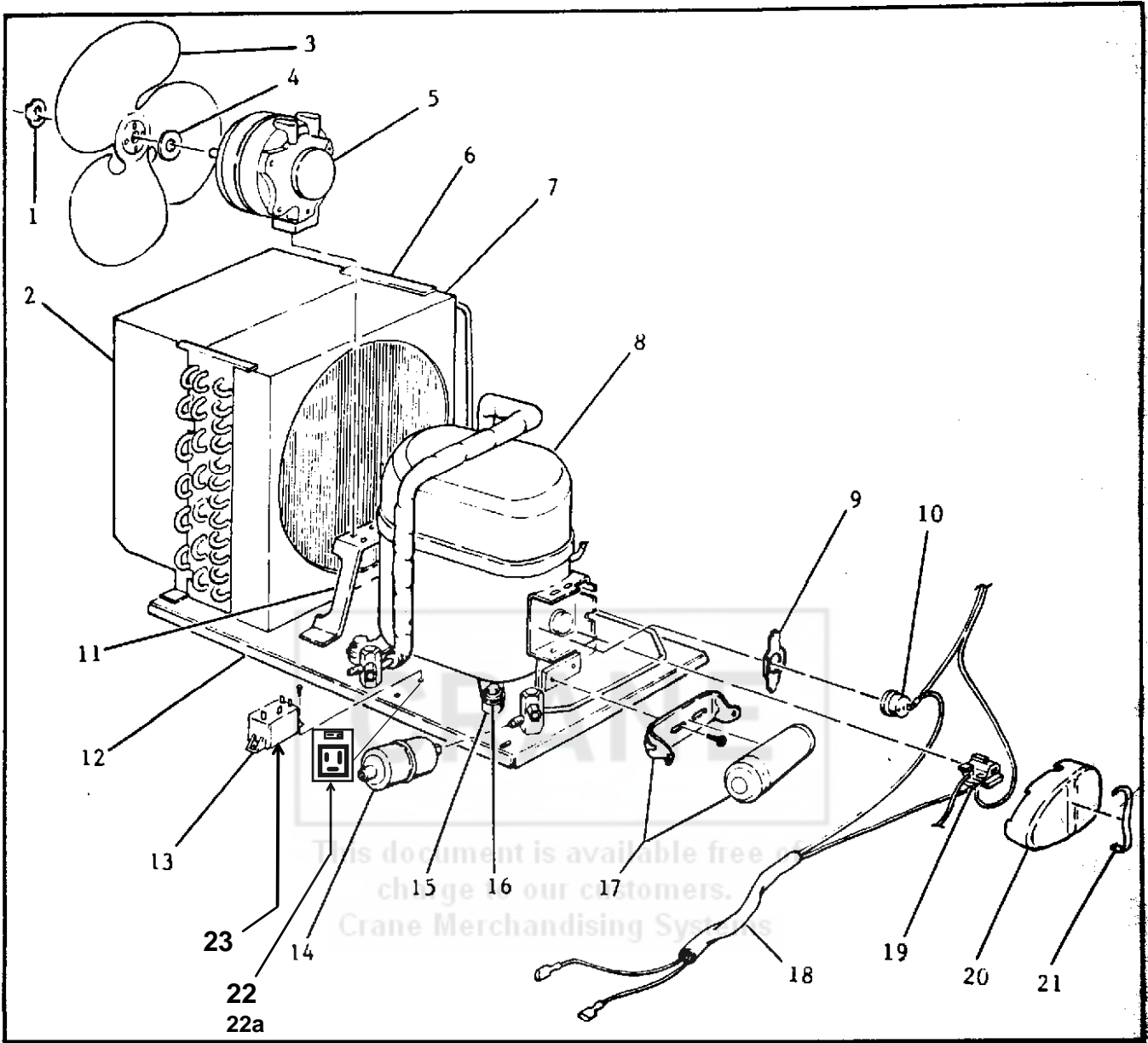


Figure S-2. Condensing Unit and Compressor Assembly (OLD STYLE)

Index No.	Description	Part Number	No. Req.
	Condensing Unit Compressor Assembly (See Figure/Index 1/18, 2/20 for next higher assembly)	4304005 4304044	Ref Ref
1	Speed Nut 1/4-20	4043122	1
2	Shroud - Condenser Air	4304036	1
3	Blade - Condenser Fan	4304006	1
4	Silencer Fan	4043121	1

SHOPPERTRON - SERVICE PARTS

Index No.	Description	Part Number	No. Req.
5	Motor Condenser Fan (Screw #8-36 x 3/8 Hex W/LW)	4043064 *	1 4
6	Condenser Assembly (Screw #8-3/8 RHS Sheet Metal)	4304010 *	1 4
7	Shroud Fan (Clip Speed Dart Style)	4043067 4043082	1 6
8	Compressor - 1/3 HP.	3144025	1
9	Spring - Overload - A.E.T.	3144052	1
10	Overload - 133 BG - Icemaker Compressor	3144045	1
11	Bracket Condenser Motor (Screw #10-32 x 3/8 PHS T/C W/LW)	4043066 *	1 4
12	Base - Compressor	4304027	1
13	Relay Spno - Refrigeration (Screw #6-32 x 5/16 RHS T/C)	4255408 *	1 2
14	Drier	4244027	1
15	Grommet - 29/32" Height	3144053	4
16	Sleeve - 29/32" Length (Screw #5/16 -18 x 1 1/2 Hex WHS T/C)	3144054 *	4 4
17	Capacitor - 145 - 175 Mfd.	3144047	1
18	Harness - Compressor	4304042	1
19	Relay - 133 BG - Icemaker Compressor	3144043	1
20	Cover - Terminal - DS A.E.T.	3144057	1
21	Strap - Bale - A.E.T.	3144055	1
22	TRIAC - 35amp	9983778	1
22a	TRIAC - PCB (Driver circuit mounts in silver compartment above triac)	9989832	1
*	Solid State Upgrade Kit (Replaces Relay, directional PCB, and Interface PCB)	4300050	1
23	70amp TRIAC UPGRADE KIT Includes: 70amp Triac p/n 9983780, Plate p/n 4300072, Nuts p/n 9900081, and Instructions p/n 4300071. NOTE: IN ORDER TO USE THE 70amp KIT (p/n 430-0070). ITEM # 22 THE SOLID STATE UPGRADE KIT (p/n 430-0050) MUST FIRST BE INSTALLED OR EXISTING (No Relay)	4300070	1

SHOPPERTRON - SERVICE PARTS

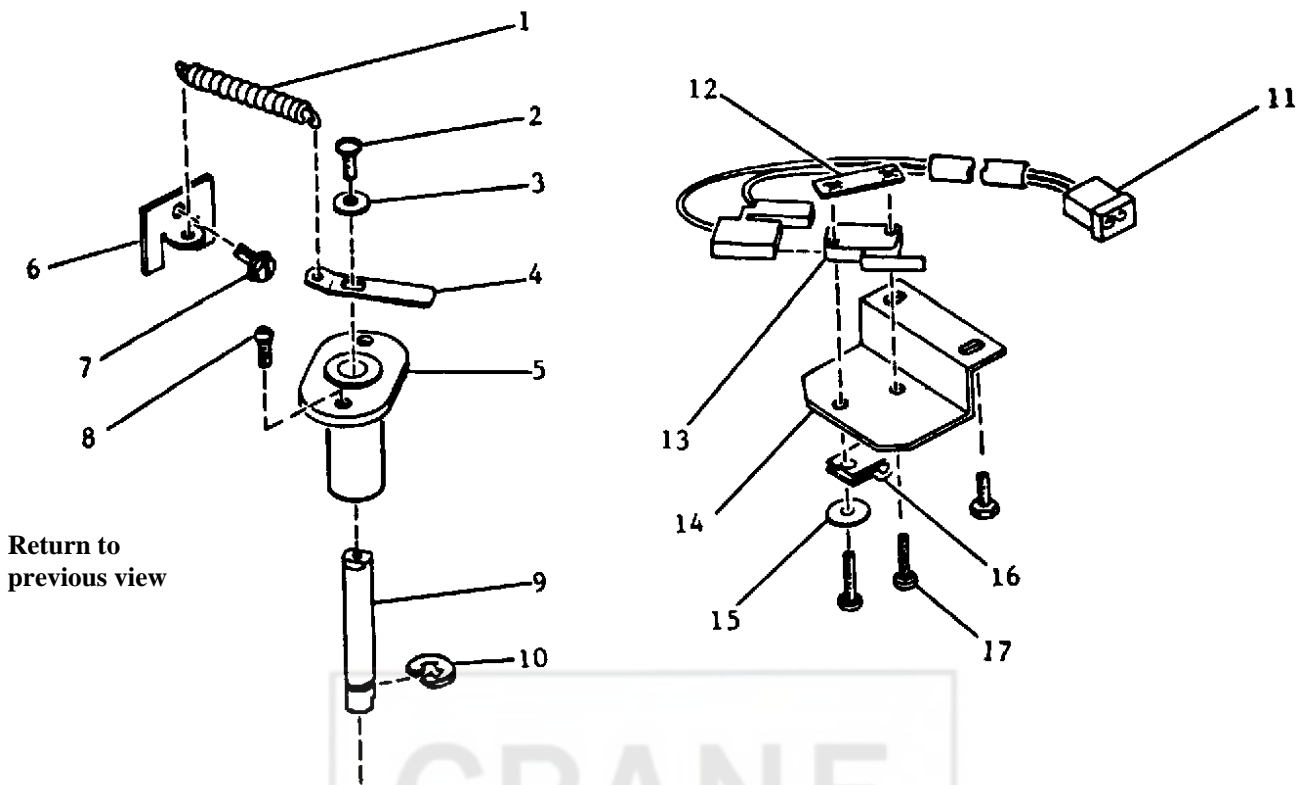


Figure S-3. Sensor Switch Assembly (OLD STYLE)

Index No.	Description	Part Number	No. Req.
	(See Figure/Index 6/19 for next higher assembly)		
1	Spring Dime Ejector	5220449	1
2	Screw #8-32 x 3/8 PHS	*	1
3	Washer Hopper Release	5560113	1
4	Ratchet - Sensor	4301315	1
5	Bushing - Stop Pin	4301204	1
6	Bracket - Spring Mtg.	4301320	1
7	Screw # 8-32 x 5/16 Hex WHS T/C	*	1
8	Screw #8-32 x 1/2 RHS S/T	*	2
9	Shaft - Sensor	4301314	1
10	Retaining Ring Reinf E Type 3/8	*	1
11	Jumper - Home Switch	4302337	1
12	Fastener - Twin Type	4302316	1
13	Switch Blade V3L - 3197 - D8	9984633	1
14	Bracket - Switch Mtg.	4301318	1
15	Washer Door Latch	1119030	1
16	Wire Clamp 3/16 in.	2301077	1
17	Screw #4-40 x 11/16 RHS	*	2

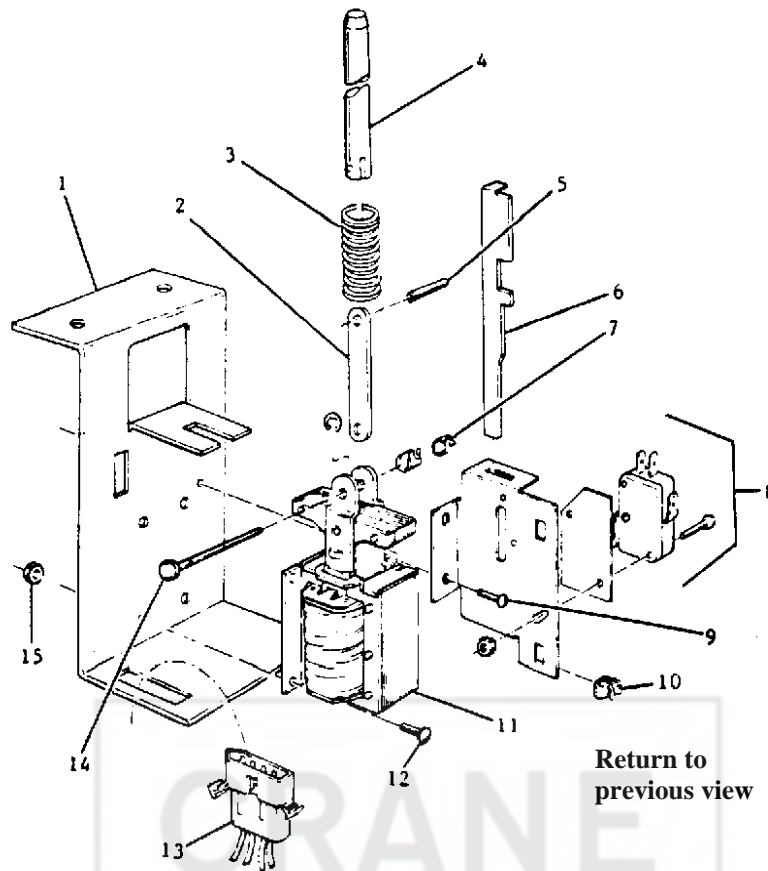


Figure S-4. Solenoid and Stop Pin Assembly

Index No.	Description	Part Number	No. Req.
	Solenoid and Stop Pin Assembly If Different than above use If Stop Pin Same as Above Picture Use Kit P/N 431-1144 Page 14	4311108	Ref
1	Bracket - Solenoid	4301332	1
2	Link - Solenoid	4301342	1
3	Spring - Compression	4301337	1
4	Pin - Stop	4301327	1
5	Roll Pin 1/8 x 13/16	*	1
6	Bar - Switch Actuator	4301517	1
7	Speed Clip Compression Ring	2366055	2
8	Switch and Bar Assembly - Solenoid	4301519	1
	Nut #4-40 Keps W/LW	*	2
	Screw #4-40 x 5/8 RHS	*	2
	Switch Roller Lever	9984634	1
	Insulator Switch	6112042	1
	Bracket - Switch Mounting	4301516	1
9	Screw #8-32 x 1/4 PHS T/F	*	2
10	Wire Guide - Clip On	4301518	2
11	Solenoid - Laminated	4301359	1
12	Screw #6-32 x 5/16 RHS W/LW	*	4
13	Jumper - Solenoid SW	4302342	1
14	Pin - Solenoid	4301339	1
15	Nut #6-32 Keps	*	4